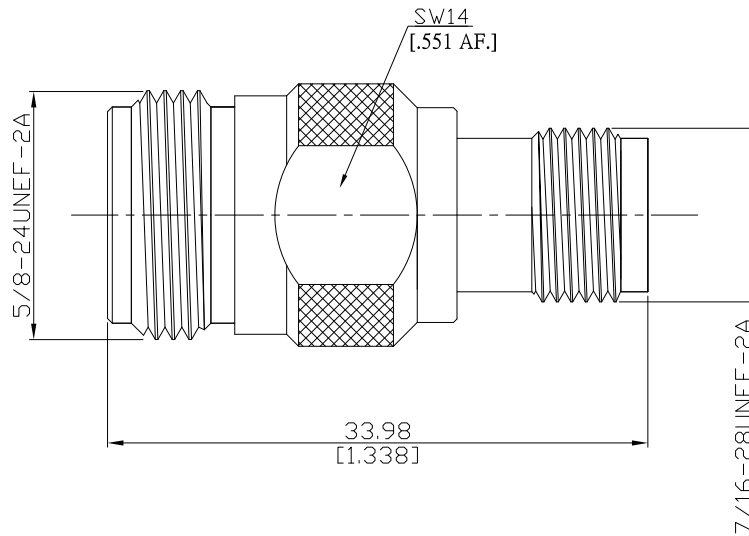


Adaptor jack/jack
N jack (female) / TNC jack (female)

AD-N2T25A/H3-H3



All dimensions are in mm [inch]
Tolerances according to DIN ISO 2768-mH

Interface

N side according to IEC 61169-16; MIL-C-39012; MIL-STD-348A/304; CECC 22210
TNC side according to IEC 61169-17; MIL-C-39012; MIL-STD-348A/313

Electrical Data

Impedance 50 Ω
Frequency DC to 11 GHz
VSWR (Return Loss) ≤ 1.20 (≥ 20.8 dB)
Insertion Loss ≤ 0.05 x √F (GHz) dB

Mechanical Data

Coupling mechanisms N (Screw-lock) ; TNC (Screw-lock)
Weight 0.0533 kg

Environmental Data

Temperature range -65°C to +165°C
RoHS compliant

Material And Plating

| Piece Parts (N) | Material | Plating |
|-------------------|-----------------|----------------------------------|
| Centre contact | Phosphor Bronze | Gold plating(Nickel underplated) |
| Body | Brass | Nickel |
| Insulator | PTFE | |
| Piece Parts (TNC) | Material | Plating |
| Centre contact | Phosphor Bronze | Gold plating(Nickel underplated) |
| Body | Brass | Nickel |
| Insulator | PTFE | |

Packing

Single or 100