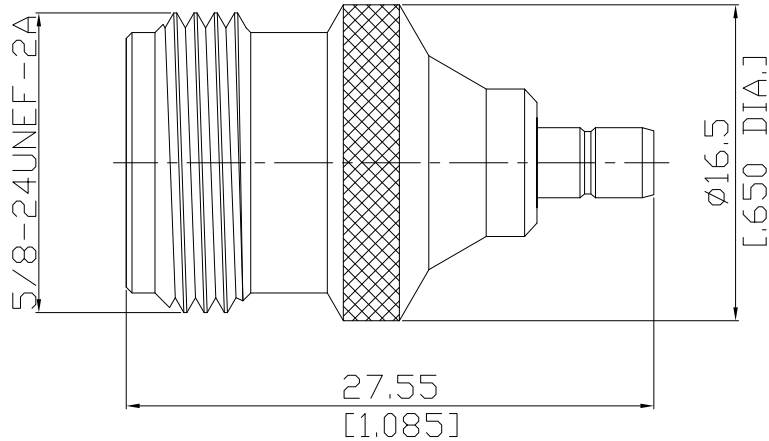


Adaptor jack/jack
N jack (female) / SMB jack (female)

AD-N2S25A/H4-H1



All dimensions are in mm [inch]
Tolerances according to DIN ISO 2768-mH

Interface

N according to IEC 60169-16; MIL-C-39012; MIL-STD-348A/304
SMB according to IEC 60169-10; MIL-C-39012; MIL-STD-348A/311

Electrical Data

Impedance 50 Ω
Frequency DC to 4 GHz
VSWR (Return Loss) ≤ 1.35 (≥ 16.5 dB)
Insertion Loss ≤ 0.05 x √F (GHz) dB

Mechanical Data

Coupling mechanisms N (Screw-lock) ; SMB (Snap-on)
Weight 0.0235 kg

Environmental Data

Temperature range -65°C to +165°C
RoHS compliant

Material And Plating

| Piece Parts (N) | Material | Plating |
|-----------------|-----------------|----------------------------------|
| Centre contact | Phosphor Bronze | Gold plating(Nickel underplated) |
| Body | Brass | Copper-Tin-Zinc Alloy |
| Insulator | PTFE | |

| Piece Parts (SMB) | Material | Plating |
|-------------------|-----------------|----------------------------------|
| Centre contact | Phosphor Bronze | Gold plating(Nickel underplated) |
| Body | Brass | Gold plating(Nickel underplated) |
| Insulator | PTFE | |

Packing

Single or 100