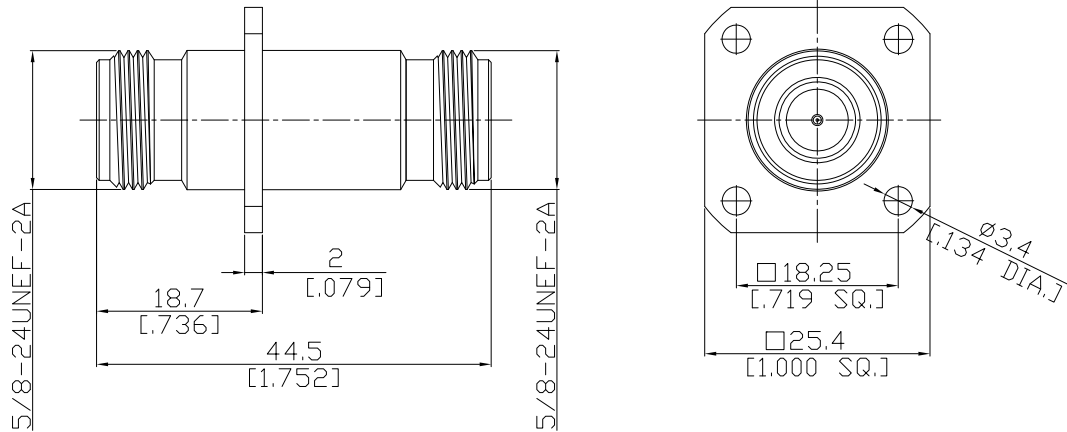




4 Hole Panel Flange Adaptor  
N jack (female) / N jack (female)

AD-N2N25B-PF/H4-H4



All dimensions are in mm [inch]

Tolerances according to DIN ISO 2768-mH

**Interface**

According to IEC 61169-16; CECC 22210; MIL-C-39012; MIL-STD-348A/304

**Electrical Data**

Impedance 50 Ω  
Frequency DC to 11 GHz  
VSWR (Return Loss) ≤ 1.20 (≥ 20.83 dB)  
Insertion Loss ≤ 0.1 dB

**Mechanical Data**

Coupling mechanisms Screw-lock  
Weight 0.0602 kg

**Environmental Data**

Temperature range -65°C to +165°C  
RoHS compliant

**Material And Plating**

Piece Parts (N)	Material	Plating
Centre contact	Phosphor Bronze	Gold plating(Nickel underplated)
Body	Brass	Copper-Tin-Zinc Alloy
Insulator	PTFE	

Piece Parts (N)	Material	Plating
Centre contact	Phosphor Bronze	Gold plating(Nickel underplated)
Body	Brass	Copper-Tin-Zinc Alloy
Insulator	PTFE	

**Packing**

Single or 100

**Related Document**

Mounting Dimension MD14