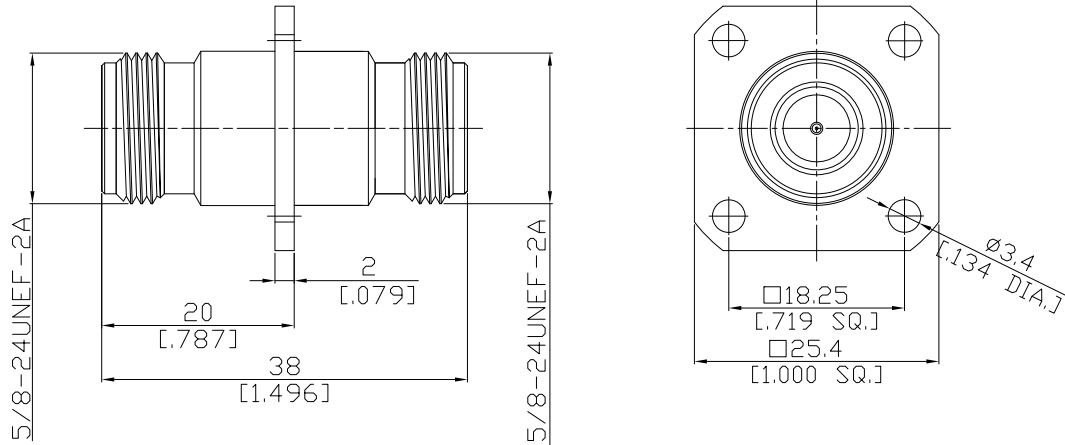


4 Hole Panel Flange Adaptor
N jack (female) / N jack (female)

AD-N2N25A-PF/HX-HX



All dimensions are in mm [inch]

Tolerances according to DIN ISO 2768-mH

Interface

According to IEC 61169-16; CECC 22210; MIL-C-39012; MIL-STD-348A/304

Electrical Data

Impedance 50 Ω
 Frequency DC to 11 GHz
 VSWR (Return Loss) ≤ 1.15 (≥ 23.1 dB)
 Insertion Loss ≤ 0.04 x √F (GHz) dB

Mechanical Data

Coupling mechanisms Screw-lock
 Weight N/A

Environmental Data

Temperature range -55°C to +100°C
 RoHS compliant

Material And Plating

Piece Parts (N)	Material	Plating
Centre contact	Phosphor Bronze	Gold plating(Nickel underplated)
Body	Stainless Steel	Passivated
Insulator	PTFE	
Piece Parts (N)	Material	Plating
Centre contact	Phosphor Bronze	Gold plating(Nickel underplated)
Body	Stainy Steel	Passivated
Insulator	PTFE	

Packing

Single or 100

Related Document

Mounting Dimension MD14