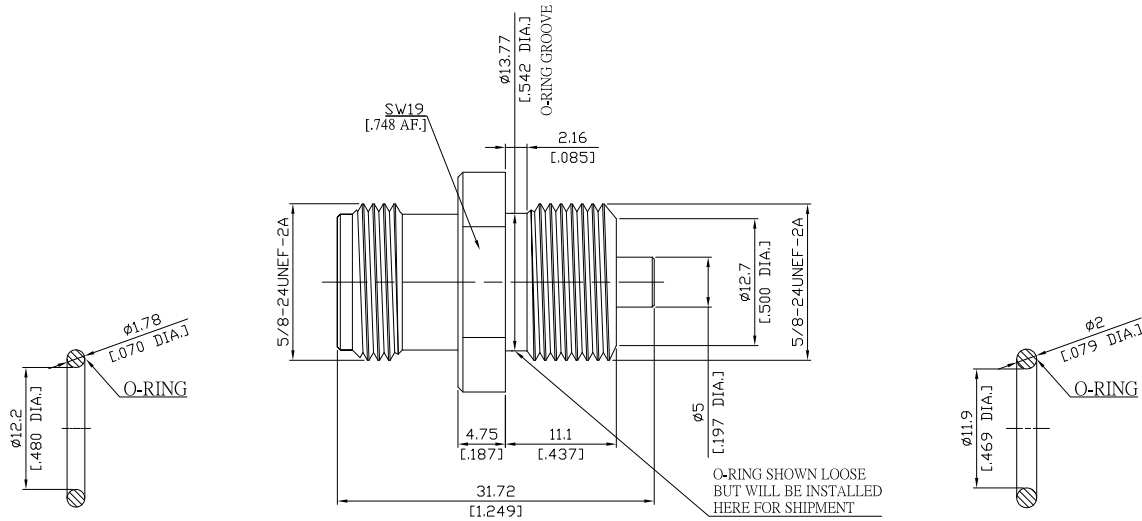


Bulkhead adaptor jack/jack  
N jack (female) / MCX jack (female)

AD-N2M25A-BH/94-91



All dimensions are in mm [inch]  
Tolerances according to DIN ISO 2768-mH

**Interface**

N Side According to IEC 60169-16, MIL-STD-348A/304  
MCX Side According to IEC 60169-36

**Electrical Data**

Impedance 50 Ω  
Frequency DC to 6 GHz  
VSWR (Return Loss) ≤ 1.20 (≥ 20.8 dB)  
Insertion Loss ≤ 0.05 x √F [GHz] dB

**Mechanical Data**

Coupling mechanisms N (Screw-lock) ; MCX (Snap-On)  
Weight N/A

**Environmental Data**

Temperature range -55°C to +155°C  
RoHS compliant  
REACH compliant

**Material And Plating**

Piece Parts (N)	Material	Plating
Centre contact	Beryllium Copper	Gold plating(Nickel underplated)
Body	Brass	Copper-Tin-Zinc Alloy
Insulator	PTFE	

Piece Parts (MCX)	Material	Plating
Centre contact	Beryllium Copper	Gold plating(Nickel underplated)
Body	Brass	Gold plating(Nickel underplated)
Insulator	PTFE	

**Packing**

Single or 100

**Related Document**

Mounting Dimension MD114