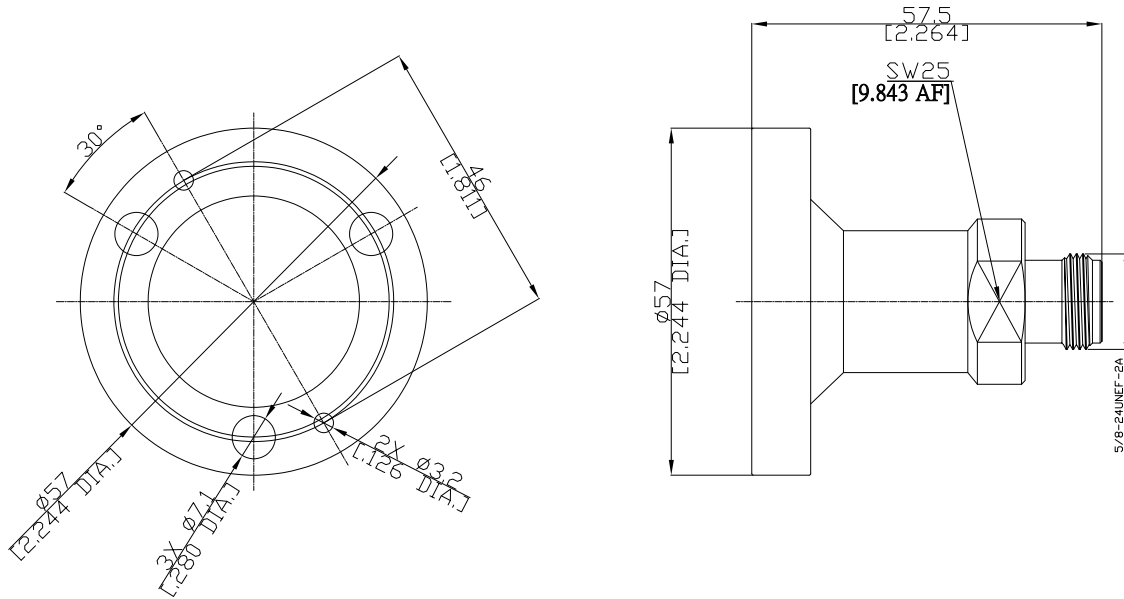


Adaptor
N jack (female) / EIA 7/8" flange

AD-N2EIA785A/G3-G3



All dimensions are in mm [inch]

Interface

N according to IEC60169-16
EIA 7/8" flange according to IEC 60339-2

Electrical Data

Impedance	50 Ω
Frequency	DC to 5 GHz
VSWR (Return loss)	DC-2GHz: ≤ 1.10 (≥ 26.44 dB)
Dielectric Withstanding Voltage	≥4000V RMS (50Hz; @ sea level)
Working Voltage	≤1000V RMS (50Hz; @ sea level)
Dielectric Resistance	≥5000MΩ
Average Power	2.3KW@900MHz
Peak Power Maximum	90KW
Contact Resistance	Center Contact:
	• N side: ≤1.0mΩ
	• EIA side: ≤1.5mΩ
	Outer Contact:
	• N side: ≤0.25mΩ
	• EIA side: ≤1.5mΩ

Mechanical Data

Mating durability	N side: ≥500 cycles EIA side: ≥100 cycles
Weight	N/A

Environmental Data

Temperature range	-40°C to +85°C
IP rating	IP67
RoHS	compliant

Adaptor
N jack (female) / EIA 7/8" flange

AD-N2EIA785A/G3-G3

Material And Plating

Piece Parts (N)	Material	Plating
Centre contact	Phosphor Bronze	Silver
Body	Brass	Nickel
Insulator	PTFE	
Piece Parts (EIA 7/8" flange)	Material	Plating
Centre contact	Phosphor Bronze	Silver
Body	Brass	Nickel
Insulator	PTFE	
Gasket	Silicone Rubber	
Flange nut	Brass	Nickel
Hardware kit (bolts, nuts, lock washers, and flat washers)	Stainless steel	

Packing

Single or 100