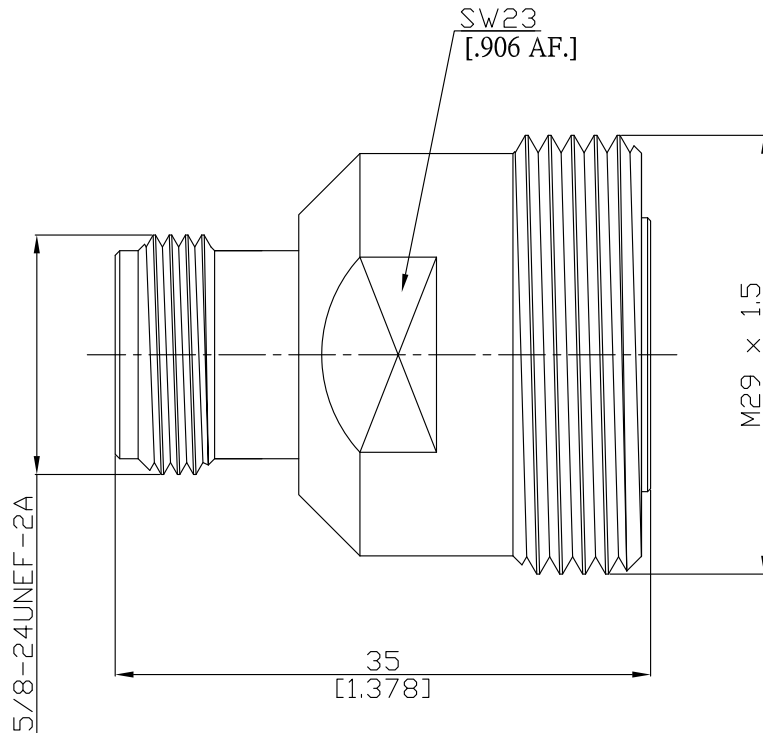


Adaptor jack/jack
N jack (female) / 7/16 jack (female)

AD-N2D25A/H4-H4



All dimensions are in mm [inch]

Tolerances according to DIN ISO 2768-mH

Interface

N according to
7/16 according to

IEC 61169-16; CECC 22210; MIL-C-39012; MIL-STD-348A/304
IEC 61169-4

Electrical Data

Impedance 50 Ω
Frequency DC to 7.5 GHz
VSWR (Return Loss) ≤ 1.15 (≥ 23 dB)
Insertion Loss ≤ 0.05 x √F (GHz) dB

Mechanical Data

Coupling mechanisms N (Screw-lock) ; 7/16 (Screw-lock)
Weight 0.0774 kg

Environmental Data

Temperature range -65°C to +165°C
RoHS compliant

Material And Plating

Piece Parts (N)	Material	Plating
Centre contact	Phosphor Bronze	Gold plating (Nickel underplated)
Body	Brass	Copper-Tin-Zinc Alloy
Insulator	PTFE	

Piece Parts (7/16)	Material	Plating
Centre contact	Phosphor Bronze	Gold plating (Nickel underplated)
Body	Brass	Copper-Tin-Zinc Alloy
Insulator	PTFE	

Packing

Single or 100