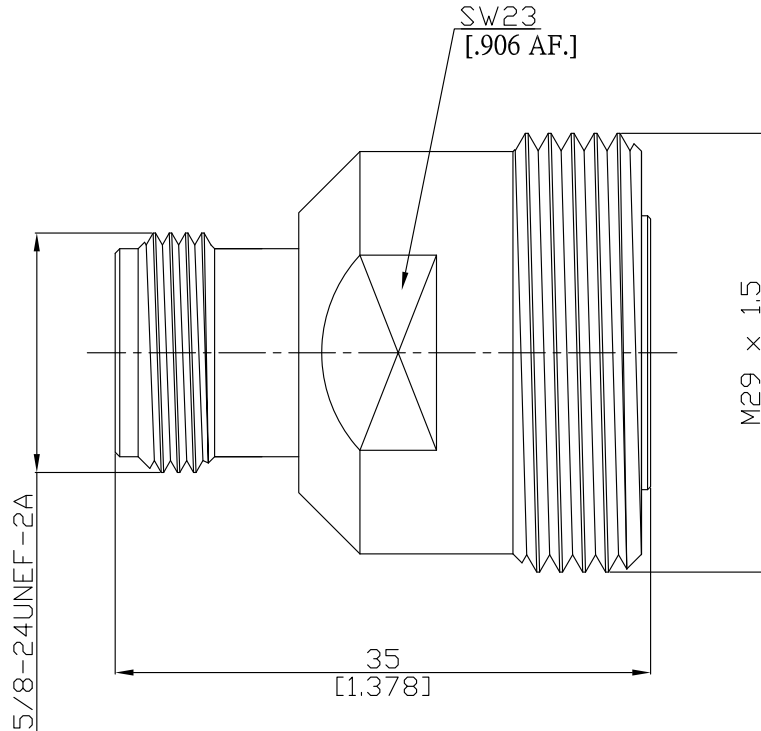


Adaptor jack/jack  
N jack (female) / 7/16 jack (female)

AD-N2D25A/94-94



All dimensions are in mm [inch]

Tolerances according to DIN ISO 2768-mH

**Interface**

N according to IEC 61169-16; CECC 22210; MIL-C-39012; MIL-STD-348A/304  
7/16 according to IEC 61169-4

**Electrical Data**

Impedance 50 Ω  
Frequency DC to 7.5 GHz  
VSWR (Return Loss) ≤ 1.15 (≥ 23 dB)  
Insertion Loss ≤ 0.05 x √F [GHz] dB

**Mechanical Data**

Coupling mechanisms N (Screw-lock) ; 7/16 (Screw-lock)  
Weight 0.0774 kg

**Environmental Data**

Temperature range -65°C to +165°C  
RoHS compliant

**Material And Plating**

Piece Parts (N)	Material	Plating
Centre contact	Beryllium Copper	Gold plating (Nickel underplated)
Body	Brass	Copper-Tin-Zinc Alloy
Insulator	PTFE	
Piece Parts (7/16)	Material	Plating
Centre contact	Beryllium Copper	Gold plating (Nickel underplated)
Body	Brass	Copper-Tin-Zinc Alloy
Insulator	PTFE	

**Packing**

Single or 100