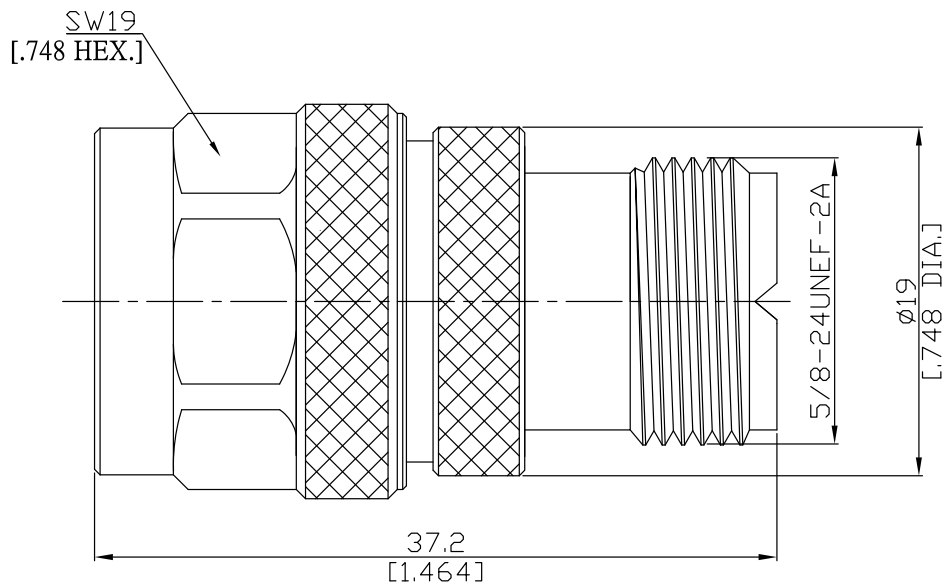




Adaptor plug/jack  
N plug (male) / UHF jack (female)

AD-N1U25A/H33-H3



All dimensions are in mm [inch]  
Tolerances according to DIN ISO 2768-mH

**Interface**

N side according to MIL-C-39012; MIL-STD-348A/304  
UHF side according to IEC 60169-12

**Electrical Data**

Impedance N (50 Ω) ; UHF (non-constant)  
Frequency DC to 300 MHz

**Mechanical Data**

Coupling mechanisms N (Screw-lock) ; UHF (Screw-lock)  
Weight N/A

**Environmental Data**

Temperature range -55°C to +149°C  
RoHS compliant

**Material And Plating**

Piece Parts (N)	Material	Plating
Centre contact	Phosphor Bronze	Gold plating(Nickel underplated)
Body	Brass	Nickel
Insulator	PTFE	
Gasket	Silicone Rubber	
Coupling nut	Brass	Nickel
Piece Parts (UHF)	Material	Plating
Centre contact	Phosphor Bronze	Gold plating(Nickel underplated)
Body	Brass	Nickel
Insulator	PTFE	

**Packing**

Single or 100