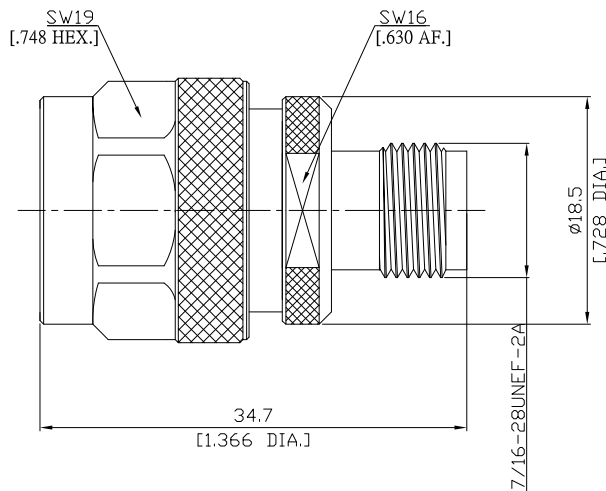


Adaptor Plug / Jack
N plug (male) / TNC jack (female)

AD-N1T25A/944-94



All dimensions are in mm [inch]
Tolerances according to DIN ISO 2768-mH

Interface

N side according to IEC 61169-16; MIL-C-39012; MIL-STD-348A/304; CECC 22210
TNC side according to IEC 61169-17; MIL-C-39012; MIL-STD-348A/313

Electrical Data

Impedance 50 Ω
Frequency DC to 11 GHz
VSWR (Return Loss) ≤ 1.20 (≥ 20.8 dB)
Insertion Loss ≤ 0.05 x √F (GHz) dB

Mechanical Data

Coupling mechanisms N (Screw-lock) ; TNC (Screw-lock)
Weight 0.0423 kg

Environmental Data

Temperature range -65°C to +165°C
RoHS compliant

Material And Plating

Piece Parts (N)	Material	Plating
Centre contact	Beryllium Copper	Gold plating(Nickel underplated)
Body	Brass	Copper-Tin-Zinc Alloy
Insulator	PTFE	
Gasket	Silicone Rubber	
Coupling nut	Brass	Copper-Tin-Zinc Alloy

Piece Parts (TNC)	Material	Plating
Centre contact	Beryllium Copper	Gold plating(Nickel underplated)
Body	Brass	Copper-Tin-Zinc Alloy
Insulator	PTFE	

Packing

Single or 100