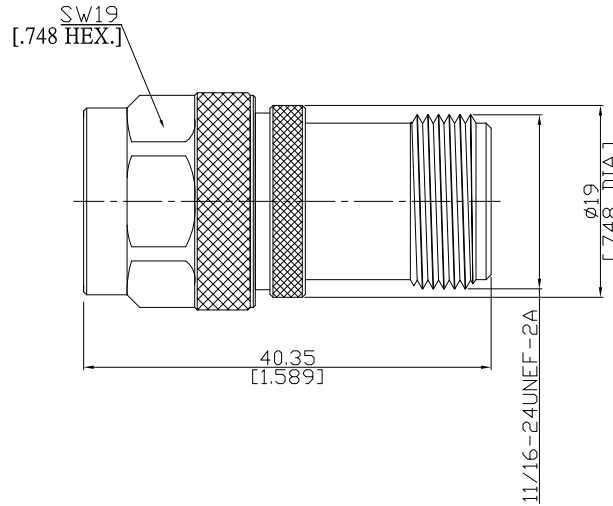




Adaptor plug/jack
N plug (male) / SC jack (female)

AD-N1SC25A/144-94



All dimensions are in mm [inch]

Tolerances according to DIN ISO 2768-mH

Interface

N according to
SC according to

IEC 61169-16; CECC 22210; MIL-C-39012; MIL-STD-348A/304
MIL-C-39012; MIL-STD-348A/309

Electrical Data

Impedance
Frequency

50 Ω
DC to 11 GHz

Mechanical Data

Coupling mechanisms
Weight

N (Screw-lock); SC (Screw-lock)
0.0515 kg

Environmental Data

Temperature range
RoHS

-65°C to +165°C
compliant

Material And Plating

Piece Parts (N)	Material	Plating
Centre contact	Phosphor Bronze	Gold plating(Nickel underplated)
Body	Brass	Copper-Tin-Zinc Alloy
Insulator	PTFE	
Gasket	Silicone Rubber	
Coupling nut	Brass	Copper-Tin-Zinc Alloy
Piece Parts (SC)	Material	Plating
Centre contact	Phosphor Bronze	Gold plating(Nickel underplated)
Body	Brass	Copper-Tin-Zinc Alloy
Insulator	PTFE	

Packing

Single or 100