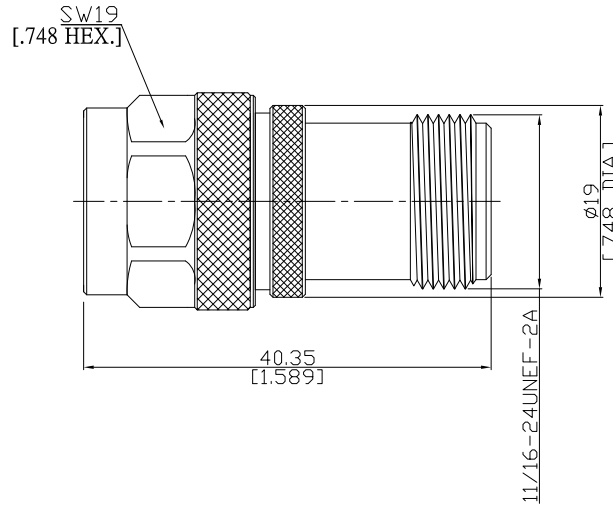


Adaptor plug/jack  
N plug (male) / SC jack (female)

## AD-N1SC25A/144-94



All dimensions are in mm [inch]  
Tolerances according to DIN ISO 2768-mH

### Interface

According to MIL-C-39012;MIL-STD-348A/304  
MIL-C-39012;MIL-STD-348A/309

### Electrical Data

Impedance 50 Ω  
Frequency DC to 11 GHz

### Mechanical Data

Coupling mechanisms N (Screw-lock) ; SC (Screw-lock)  
Weight 0.0515 kg

### Environmental Data

RoHS -65°C to +165°C  
compliant

### Material And Plating

Piece Parts (N)	Material	Plating
Centre contact	Brass	Gold plating(Nickel underplated)
Body	Brass	Copper-Tin-Zinc Alloy
Insulator	PTFE	
Gasket	Silicone Rubber	
Coupling nut	Brass	Copper-Tin-Zinc Alloy
Piece Parts (SC)	Material	Plating
Centre contact	Beryllium Copper	Gold plating(Nickel underplated)
Body	Brass	Copper-Tin-Zinc Alloy
Insulator	PTFE	

### Packing

Single or 100