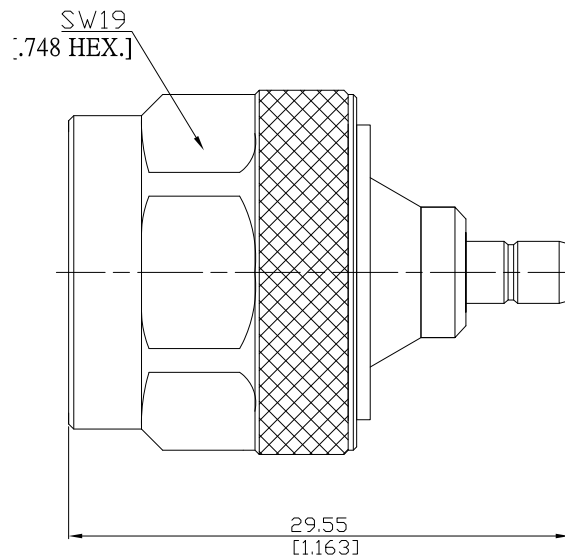


**Adaptor Plug / Jack**  
N plug (male) / SMB jack (female)

AD-N1S25A/144-11



All dimensions are in mm [inch]  
Tolerances according to DIN ISO 2768-mH

**Interface**

N according to IEC 60169-16; MIL-C-39012; MIL-STD-348A/304  
SMB according to IEC 60169-10; MIL-C-39012; MIL-STD-348A/311

**Electrical Data**

Impedance 50 Ω  
Frequency DC to 4 GHz  
VSWR (Return Loss) ≤ 1.35 (≥ 16.5 dB)  
Insertion Loss ≤ 0.05 x √F (GHz) dB

**Mechanical Data**

Coupling mechanisms N (Screw-lock) ; SMB (Snap-on)  
Weight 0.0291 kg

**Environmental Data**

Temperature range -65°C to +165°C  
RoHS compliant

**Material And Plating**

Piece Parts (N)	Material	Plating
Centre contact	Brass	Gold plating(Nickel underplated)
Body	Brass	Copper-Tin-Zinc Alloy
Insulator	PTFE	
Gasket	Silicone Rubber	
Coupling nut	Brass	Copper-Tin-Zinc Alloy
Piece Parts (SMB)	Material	Plating
Centre contact	Brass	Gold plating(Nickel underplated)
Body	Brass	Gold plating(Nickel underplated)
Insulator	PTFE	

**Packing**

Single or 100