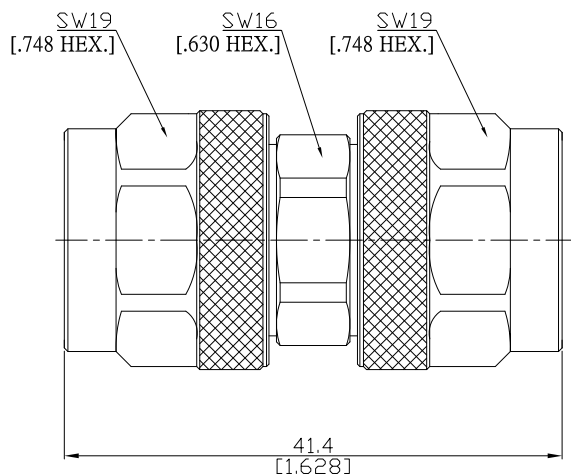


Adaptor plug/plug  
N plug (male) / N plug (male)

AD-N1N15A/1XX-1XX



All dimensions are in mm [inch]

Tolerances according to DIN ISO 2768-mH

#### Interface

According to IEC 61169-16; MIL-C-39012; MIL-STD-348A/304; CECC 22210

#### Electrical Data

Impedance 50 Ω  
Frequency DC to 11 GHz  
VSWR (Return Loss) ≤ 1.15 (≥ 23.12 dB)  
Insertion Loss ≤ 0.05 x √F (GHz) dB

#### Mechanical Data

Coupling mechanisms Screw-lock  
Weight 0.0569 kg

#### Environmental Data

Temperature range -65°C to +165°C  
RoHS compliant

#### Material And Plating

Piece Parts (N)	Material	Plating
Centre contact	Brass	Gold plating(Nickel underplated)
Body	Stainless Steel	Passivated
Insulator	PTFE	
Gasket	Silicone Rubber	
Coupling nut	Stainless Steel	Passivated
Piece Parts (N)	Material	Plating
Centre contact	Brass	Gold plating(Nickel underplated)
Body	Brass	Copper-Tin-Zinc Alloy
Insulator	PTFE	
Gasket	Silicone Rubber	
Coupling nut	Stainless Steel	Passivated

#### Packing

Single or 100