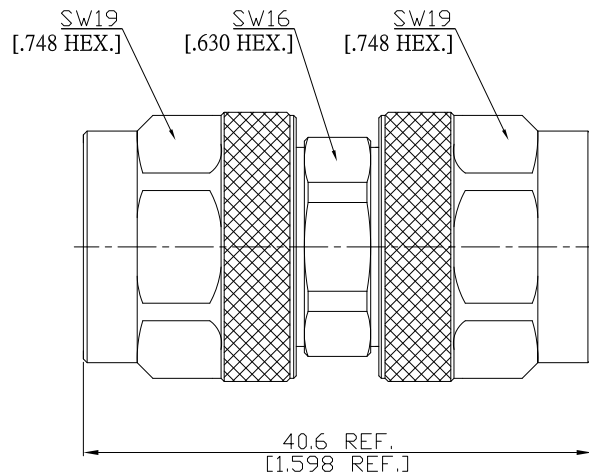


Adaptor plug/plug
N plug (male) / N plug (male)

AD-N1N15A/043-043



All dimensions are in mm [inch]
Tolerances according to DIN ISO 2768-mH

Interface

According to IEC 61169-16; MIL-C-39012; MIL-STD-348A/304

Electrical Data

Impedance 50 Ω
Frequency DC to 11 GHz
VSWR (Return Loss) DC-3GHz: ≤ 1.10 (≥ 26.44 dB) 3-11GHz: ≤ 1.15 (≥ 23.12 dB)
Insertion Loss ≤ 0.05 x √F (GHz) dB

Mechanical Data

Coupling mechanisms Screw-lock
Weight N/A

Environmental Data

Temperature range -45°C to +85°C
RoHS compliant
Mating cycles ≥ 500

Material And Plating

Piece Parts (N)	Material	Plating
Centre contact	Brass	Silver
Body	Brass	Copper-Tin-Zinc Alloy
Insulator	PTFE	
Gasket	Silicone Rubber	
Coupling nut	Brass	Nickel

Piece Parts (N)	Material	Plating
Centre contact	Brass	Silver
Body	Brass	Copper-Tin-Zinc Alloy
Insulator	PTFE	
Gasket	Silicone Rubber	
Coupling nut	Brass	Nickel

Packing

Single or 100