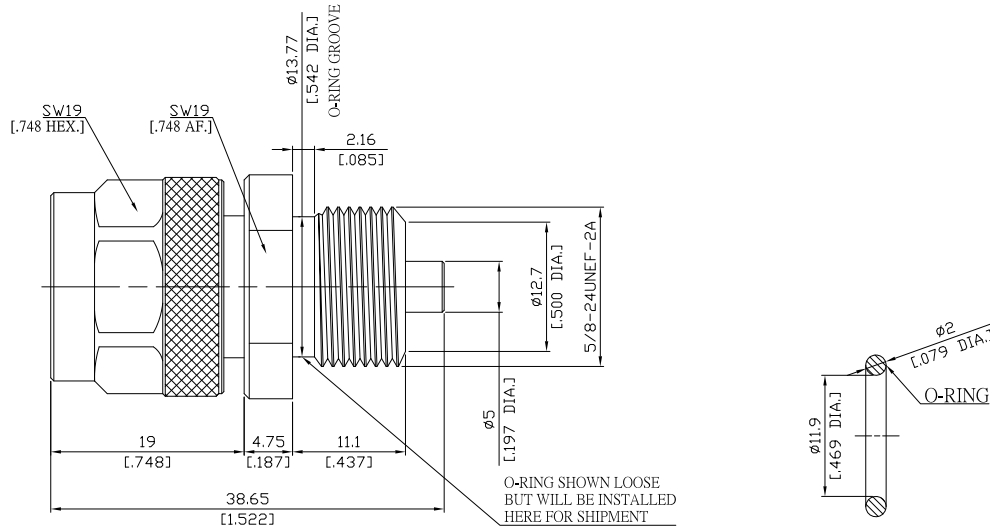


**Bulkhead adaptor plug/jack
N plug (male) / MCX jack (female)**

AD-N1M25A-BH/944-91



All dimensions are in mm [inch]
Tolerances according to DIN ISO 2768-mH

Interface

N Side According to IEC 60169-16, MIL-STD-348A/304
MCX Side According to IEC 60169-36

Electrical Data

Impedance 50 Ω
Frequency DC to 6 GHz
VSWR (Return Loss) ≤ 1.20 (≥ 20.8 dB)
Insertion Loss ≤ 0.05 x √F [GHz] dB

Mechanical Data

Coupling mechanisms N (Screw-lock) ; MCX (Snap-On)
Weight N/A

Environmental Data

Temperature range -55°C to +155°C
RoHS compliant
REACH compliant

Material And Plating

Piece Parts (N)	Material	Plating
Centre contact	Beryllium Copper	Gold plating(Nickel underplated)
Body	Brass	Copper-Tin-Zinc Alloy
Insulator	PTFE	
Gasket	Silicone Rubber	
Coupling nut	Brass	Copper-Tin-Zinc Alloy
Piece Parts (MCX)	Material	Plating
Centre contact	Beryllium Copper	Gold plating(Nickel underplated)
Body	Brass	Gold plating(Nickel underplated)
Insulator	PTFE	

Packing

Single or 100

Related Document

Mounting Dimension MD114

The facts and figures herein are carefully compiled to the best of our knowledge, but they are intended for general informational purposes only. In the effort to improve our products, we reserve the right to make changes judged to be necessary.

Rev.:
Date:
19/11/10

Rosnol RF/Microwave Technology
www.rosnol.com ; info@rosnol.com
Phone:+886-3-463-5095
Fax:+886-3-463-5952