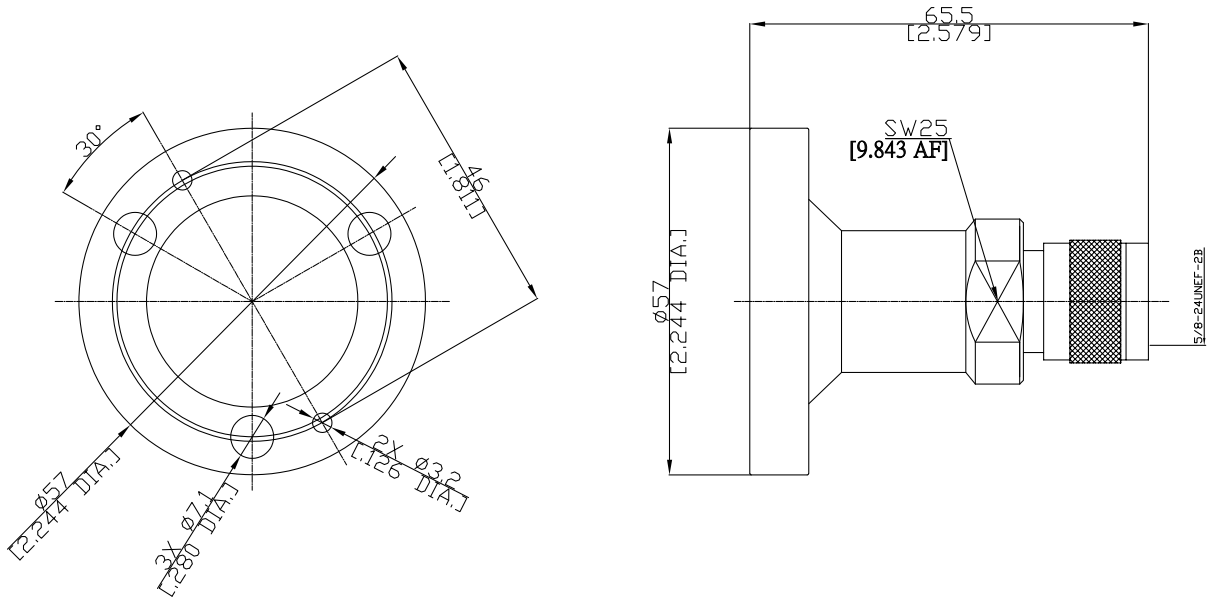




Adaptor
N plug (male) / EIA 7/8" flange

AD-N1EIA785A/G33-G3



All dimensions are in mm [inch]

Interface

N according to IEC60169-16
EIA 7/8" flange according to N/A

Electrical Data

Impedance 50 Ω
 Frequency DC to 5 GHz
 VSWR (Return loss) DC-1GHz: ≤ 1.07 (≥ 29.42 dB)
 Dielectric Withstanding Voltage ≥4000V RMS (50Hz; @ sea level)
 Working Voltage ≤1000V RMS (50Hz; @ sea level)
 Dielectric Resistance ≥5000MΩ
 Average Power 2.3KW@900MHz
 Peak Power Maximum 90KW
 Contact Resistance
 Center Contact:
 • N side: ≤1.0mΩ
 • EIA side: ≤1.5mΩ
 Outer Contact:
 • N side: ≤0.25mΩ
 • EIA side: ≤1.5mΩ

Mechanical Data

Mating durability N side: ≥500 cycles
EIA side: ≥100 cycles
 Weight N/A

Environmental Data

Temperature range -40°C to +85°C
 IP rating IP67
 RoHS compliant

Adaptor
N plug (male) / EIA 7/8" flange

AD-N1EIA785A/G33-G3

Material And Plating

Piece Parts (N)	Material	Plating
Centre contact	Phosphor Bronze	Silver
Body	Brass	Nickel
Insulator	PTFE	
Gasket	Silicone Rubber	
Coupling nut	Brass	Nickel
Piece Parts (EIA 7/8" flange)	Material	Plating
Centre contact	Phosphor Bronze	Silver
Body	Brass	Nickel
Insulator	PTFE	
Gasket	Silicone Rubber	
Flange nut	Brass	Nickel
Hardware kit (bolts, nuts, lock washers, and flat washers)	Stainless steel	

Packing

Single or 100