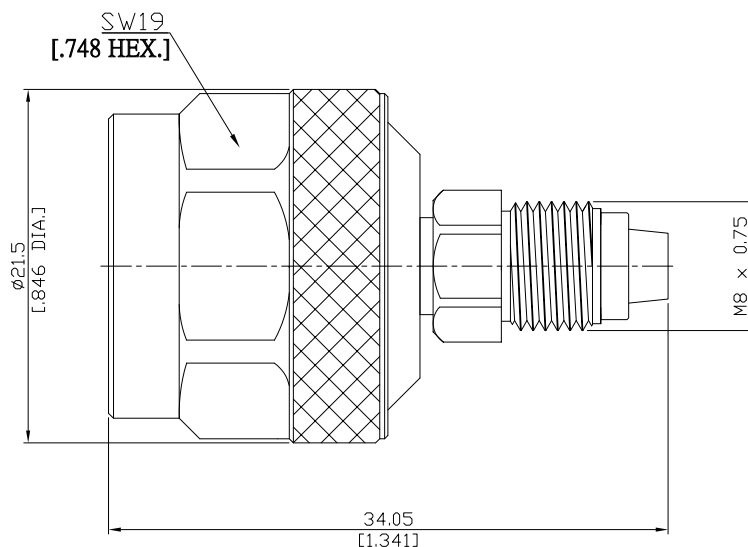


Adaptor plug/jack  
N plug (male) / FME jack (female)

AD-N1E25A/H44-H4



All dimensions are in mm [inch]

Tolerances according to DIN ISO 2768-mH

#### Interface

According to IEC 61169-16; CECC 22210; MIL-C-39012; MIL-STD-348A/304

#### Electrical Data

Impedance 50 Ω  
Frequency DC to 2.5 GHz

#### Mechanical Data

Coupling mechanisms N (Screw-lock); FME (Screw-lock)  
Weight N/A

#### Environmental Data

Temperature range -65°C to +165°C  
RoHS compliant

#### Material And Plating

Piece Parts (N)	Material	Plating
Centre contact	Phosphor Bronze	Gold plating(Nickel underplated)
Body	Brass	Copper-Tin-Zinc Alloy
Insulator	PTFE	
Gasket	Silicone Rubber	
Coupling nut	Brass	Copper-Tin-Zinc Alloy
Piece Parts (FME)	Material	Plating
Centre contact	Phosphor Bronze	Gold plating(Nickel underplated)
Body	Brass	Copper-Tin-Zinc Alloy
Insulator	PTFE	

#### Packing

Single or 100