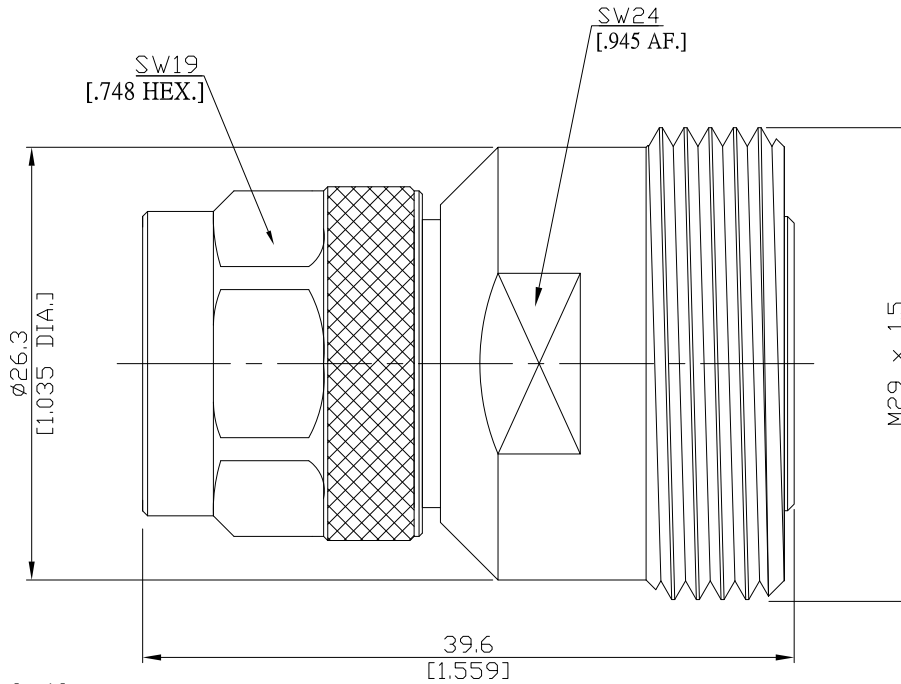


Adaptor plug/jack
N plug (male) / 7/16 jack (female)

AD-N1D25A/944-94



All dimensions are in mm [inch]

Tolerances according to DIN ISO 2768-mH

Interface

N according to IEC 61169-16; CECC 22210; MIL-C-39012; MIL-STD-348A/304
7/16 according to IEC 61169-4

Electrical Data

Impedance 50 Ω
Frequency DC to 7.5 GHz
VSWR (Return Loss) ≤ 1.15 (≥ 23 dB)
Insertion Loss ≤ 0.05 x √F [GHz] dB

Mechanical Data

Coupling mechanisms N (Screw-lock) ; 7/16 (Screw-lock)
Weight 0.0774 kg

Environmental Data

Temperature range -65°C to +165°C
RoHS compliant

Material And Plating

Piece Parts (N)	Material	Plating
Centre contact	Beryllium Copper	Gold plating (Nickel underplated)
Body	Brass	Copper-Tin-Zinc Alloy
Insulator	PTFE	
Gasket	Silicone Rubber	
Coupling nut	Brass	Copper-Tin-Zinc Alloy
Piece Parts (7/16)	Material	Plating
Centre contact	Beryllium Copper	Gold plating (Nickel underplated)
Body	Brass	Copper-Tin-Zinc Alloy
Insulator	PTFE	

Packing

Single or 100