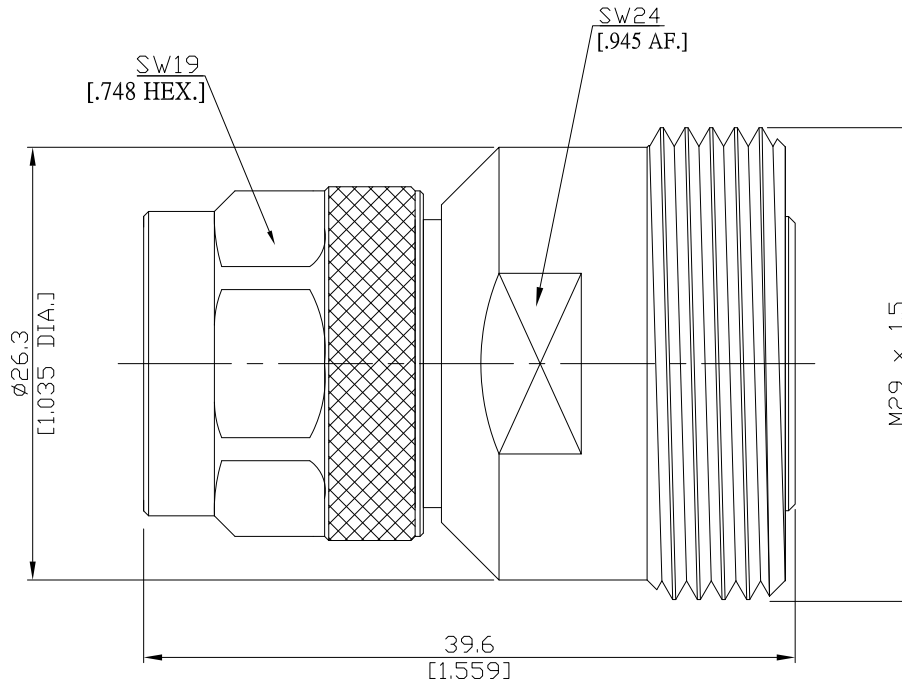


**Adaptor plug/jack**  
**N plug (male) / 7/16 jack (female)**
**AD-N1D25A/044-04**


All dimensions are in mm [inch]

**Interface**

 N according to  
 7/16 according to

 IEC 61169-16; CECC 22210; MIL-C-39012; MIL-STD-348A/304  
 IEC 61169-4

**Electrical Data**

Impedance	50 $\Omega$
Frequency	DC to 7.5 GHz
VSWR (Return Loss)	$\leq 1.15$ ( $\geq 23$ dB)
Insertion Loss	$\leq 0.05 \times \sqrt{F}$ [GHz] dB

**Mechanical Data**

Coupling mechanisms	N (Screw-lock) ; 7/16 (Screw-lock)
Weight	0.0774 kg

**Environmental Data**

Temperature range	-65°C to +165°C
RoHS	compliant

**Material And Plating**

Piece Parts (N)	Material	Plating
Centre contact	Brass	Silver
Body	Brass	Copper-Tin-Zinc Alloy
Insulator	PTFE	
Gasket	Silicone Rubber	
Coupling nut	Brass	Copper-Tin-Zinc Alloy
Piece Parts (7/16)	Material	Plating
Centre contact	Brass	Silver
Body	Brass	Copper-Tin-Zinc Alloy
Insulator	PTFE	

**Packing**

Single or 100