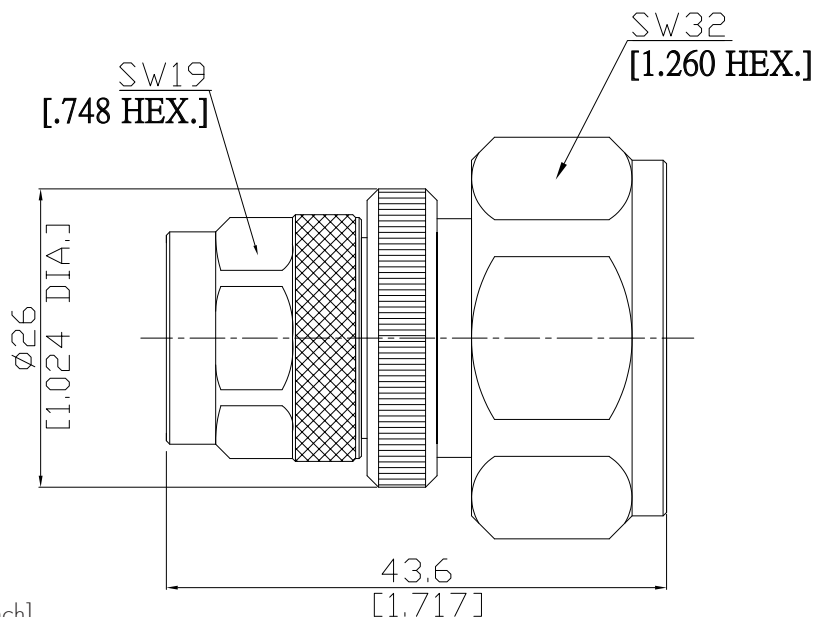


Adaptor plug/plug  
N plug (male) / 7/16 plug (male)

AD-N1D15A/144-044



All dimensions are in mm [inch]

Tolerances according to DIN ISO 2768-mH

#### Interface

N according to  
7/16 according to

IEC 61169-16; CECC 22210; MIL-C-39012; MIL-STD-348A/304  
IEC 61169-4

#### Electrical Data

Impedance 50  $\Omega$   
Frequency DC to 7.5 GHz  
VSWR (Return Loss)  $\leq 1.15$  ( $\geq 23$  dB)  
Insertion Loss  $\leq 0.05 \times \sqrt{F}$  (GHz) dB

#### Mechanical Data

Coupling mechanisms N (Screw-lock) ; 7/16 (Screw-lock)  
Weight 0.1047 kg

#### Environmental Data

Temperature range -65°C to +165°C  
RoHS compliant

#### Material And Plating

Piece Parts (N)	Material	Plating
Centre contact	Brass	Gold plating(Nickel underplated)
Body	Brass	Copper-Tin-Zinc Alloy
Insulator	PTFE	
Gasket	Silicone Rubber	
Coupling nut	Brass	Copper-Tin-Zinc Alloy
Piece Parts (7/16)	Material	Plating
Centre contact	Brass	Silver
Body	Brass	Copper-Tin-Zinc Alloy
Insulator	PTFE	
Gasket	Silicone Rubber	
Coupling nut	Brass	Copper-Tin-Zinc Alloy

#### Packing

Single or 100