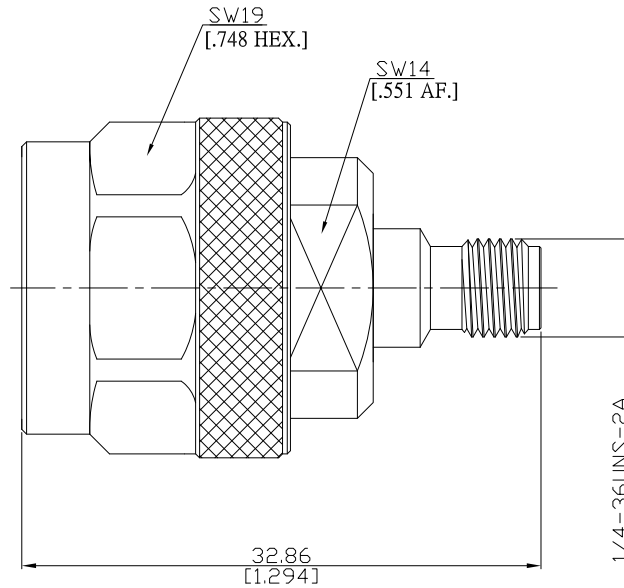




Adaptor plug/jack
N plug (male) / SMA jack (female)

AD-N1A25A/H44-94



All dimensions are in mm [inch]
Tolerances according to DIN ISO 2768-mH

Interface

N According to IEC 61169-16; MIL-STD-348A/304
SMA According to IEC 60169-15; MIL-STD-348A/310

Electrical Data

Impedance 50 Ω
Frequency DC to 12 GHz
VSWR (Return Loss) ≤ 1.15 (≥ 23.13 dB)
Insertion Loss ≤ 0.04 x √F (GHz) dB

Mechanical Data

Coupling mechanisms N (Screw-lock); SMA (Screw-lock)
Weight N/A

Environmental Data

Temperature range -65°C to +165°C
RoHS compliant

Material And Plating

Piece Parts (N)	Material	Plating
Centre contact	Phosphor Bronze	Gold plating(Nickel underplated)
Body	Brass	Copper-Tin-Zinc Alloy
Insulator	PTFE	
Gasket	Silicone Rubber	
Coupling nut	Brass	Copper-Tin-Zinc Alloy
Piece Parts (SMA)	Material	Plating
Centre contact	Beryllium Copper	Gold plating(Nickel underplated)
Body	Brass	Copper-Tin-Zinc Alloy
Insulator	PTFE	

Packing

Single or 100