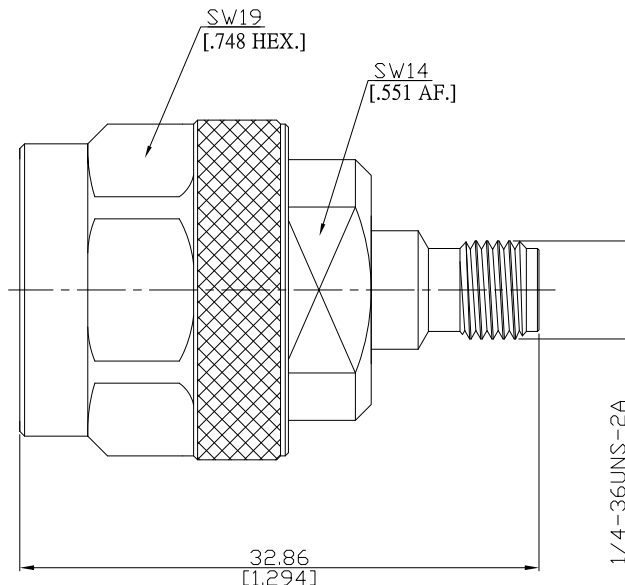


Adaptor plug/jack  
N plug (male) / SMA jack (female)

AD-N1A25A/933-93



All dimensions are in mm [inch]

Tolerances according to DIN ISO 2768-mH

#### Interface

N According to  
SMA According to

IEC 61169-16; MIL-STD-348A/304  
IEC 60169-15; MIL-STD-348A/310

#### Electrical Data

Impedance 50 Ω  
Frequency DC to 12 GHz  
VSWR (Return Loss) ≤ 1.15 (≥ 23.13 dB)  
Insertion Loss ≤ 0.04 x √F (GHz) dB

#### Mechanical Data

Coupling mechanisms N (Screw-lock); SMA (Screw-lock)  
Weight N/A

#### Environmental Data

Temperature range -65°C to +165°C  
RoHS compliant

#### Material And Plating

Piece Parts (N)	Material	Plating
Centre contact	Beryllium Copper	Gold plating(Nickel underplated)
Body	Brass	Nickel
Insulator	PTFE	
Gasket	Silicone Rubber	
Coupling nut	Brass	Nickel
Piece Parts (SMA)	Material	Plating
Centre contact	Beryllium Copper	Gold plating(Nickel underplated)
Body	Brass	Nickel
Insulator	PTFE	

#### Packing

Single or 100