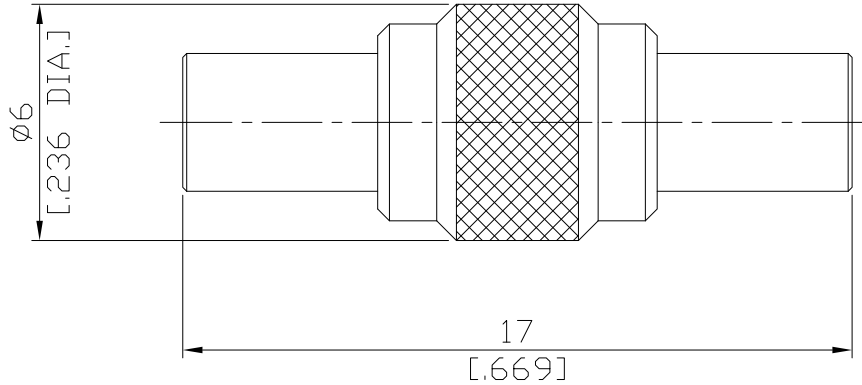


Adaptor Jack / Jack
MMCX jack (female) / MMCX jack (female)

AD-MX2MX25A/91-91



All dimensions are in mm [inch]
Tolerances according to DIN ISO 2768-mH

Interface

According to N/A

Electrical Data

Impedance 50 Ω
Frequency DC to 6 GHz
VSWR (Return Loss) ≤ 1.3 (≥ 17.7 dB)
Insertion Loss $\leq 0.1 \times \sqrt{F}$ [GHz] dB

Mechanical Data

Coupling mechanisms Snap-lock
Weight 0.0025 kg

Environmental Data

Temperature range -55°C to +155°C
RoHS compliant

Material And Plating

Piece Parts (MMCX)	Material	Plating
Centre contact	Beryllium Copper	Gold plating(Nickel underplated)
Body	Brass	Gold plating(Nickel underplated)
Insulator	PTFE	
Piece Parts (MMCX)	Material	Plating
Centre contact	Beryllium Copper	Gold plating(Nickel underplated)
Body	Brass	Gold plating(Nickel underplated)
Insulator	PTFE	

Packing

Single or 100