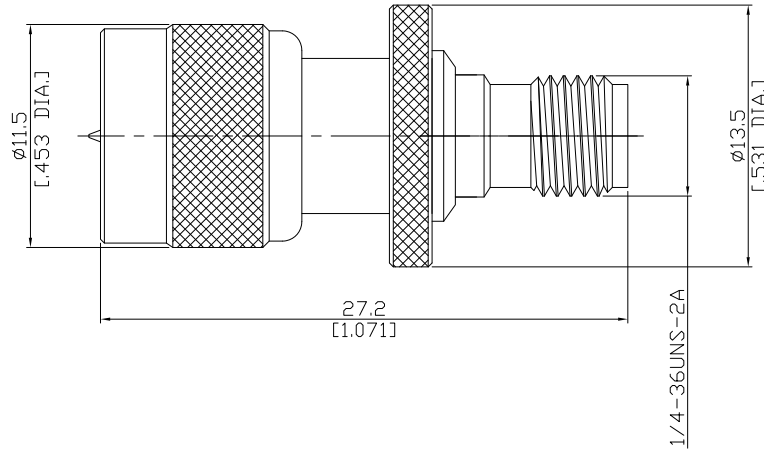


Adaptor Plug / Jack
Mini UHF plug (male) / SMA jack (female)

AD-MU1A25A/944-91



All dimensions are in mm [inch]
Tolerances according to DIN ISO 2768-mH

Interface

According to IEC 60169-15; MIL-C-39012; MIL-STD-348A/310

Electrical Data

Impedance 50 Ω
Frequency DC to 2.5 GHz

Mechanical Data

Coupling mechanisms Mini UHF (Screw-lock) ; SMA (Screw-lock)
Weight 0.0091 kg

Environmental Data

Temperature range -55°C to +165°C
RoHS compliant

Material And Plating

Piece Parts (Mini UHF)	Material	Plating
Centre contact	Beryllium Copper	Gold plating(Nickel underplated)
Body	Brass	Copper-Tin-Zinc Alloy
Insulator	PTFE	
Coupling nut	Brass	Copper-Tin-Zinc Alloy

Piece Parts (SMA)	Material	Plating
Centre contact	Beryllium Copper	Gold plating(Nickel underplated)
Body	Brass	Gold plating(Nickel underplated)
Insulator	PTFE	

Packing

Single or 100