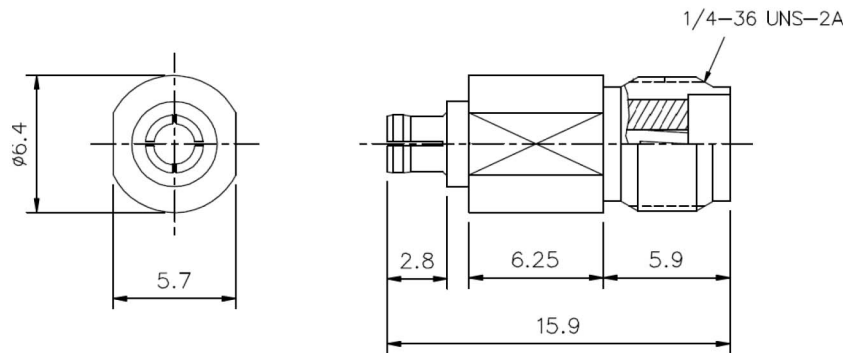


Adaptor plug/jack  
IPEX I plug (male) / SMA jack (female)

AD-MHF11A25A/99-91



All dimensions are in mm [inch]  
Tolerances according to DIN ISO 2768-mH

#### Interface

According to MIL-C-39012;MIL-STD-348A/310

#### Electrical Data

Impedance 50 Ω  
Frequency DC to 6 GHz  
VSWR (Return Loss) ≤ 1.3  
Insertion Loss <0.25 dB  
working voltage 170Vrms Max  
Dielectric withstanding Voltage 500Vrms  
Durability 500Cycle

#### Mechanical Data

Coupling mechanisms Screw-lock  
Weight N/A

#### Environmental Data

Temperature range -65°C to +155°C  
RoHS compliant

#### Material And Plating

Piece Parts (IPEX I)	Material	Plating
Centre contact	Beryllium Copper	Gold plating(Nickel underplated)
Body	Beryllium Copper	Gold plating(Nickel underplated)
Insulator	PTFE	
Gasket	Silicone Rubber	

Piece Parts (SMA)	Material	Plating
Centre contact	Beryllium Copper	Gold plating(Nickel underplated)
Body	Brass	Gold plating(Nickel underplated)
Insulator	PTFE	

#### Packing

Single or 100