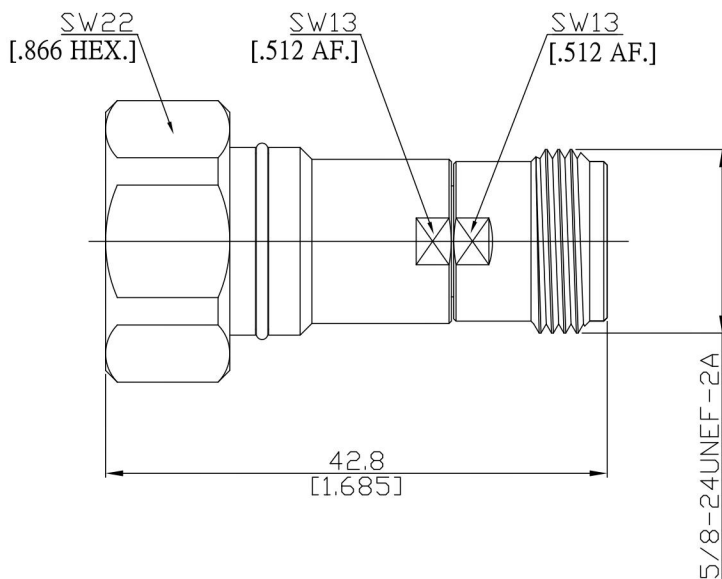


Adaptor plug/jack  
4.1/9.5 plug (male) / Precision N jack (female)

AD-MD1PCN25A/1XX-9X



All dimensions are in mm [inch]

Tolerances according to DIN ISO 2768-mH

#### Interface

Precision N according to IEC 61169-16  
4.1/9.5 according to IEC 61169-11, DIN 47231

#### Electrical Data

Impedance 50  $\Omega$   
Frequency DC to 14 GHz  
VSWR (Return Loss)  $\leq 1.13$  ( $\geq 24$  dB)  
Insertion Loss  $\leq 0.05 \times \sqrt{F}$  (GHz) dB

#### Mechanical Data

Coupling mechanisms 4.1/9.5 (Screw-lock); Precision N (Screw-lock)  
Weight N/A

#### Environmental Data

Temperature range -40°C to +85°C  
RoHS compliant

#### Material And Plating

Piece Parts (4.1/9.5)	Material	Plating
Centre contact	Brass	Gold plating (without Nickel underplating)
Body	Stainless Steel	Passivated
Insulator	PTFE	
Gasket	Silicone Rubber	
Coupling nut	Stainless Steel	Passivated

Piece Parts (Precision N)	Material	Plating
Centre contact	Beryllium Copper	Gold plating (without Nickel underplating)
Body	Stainless Steel	Passivated
Insulator	PTFE	

#### Packing

Single or 100