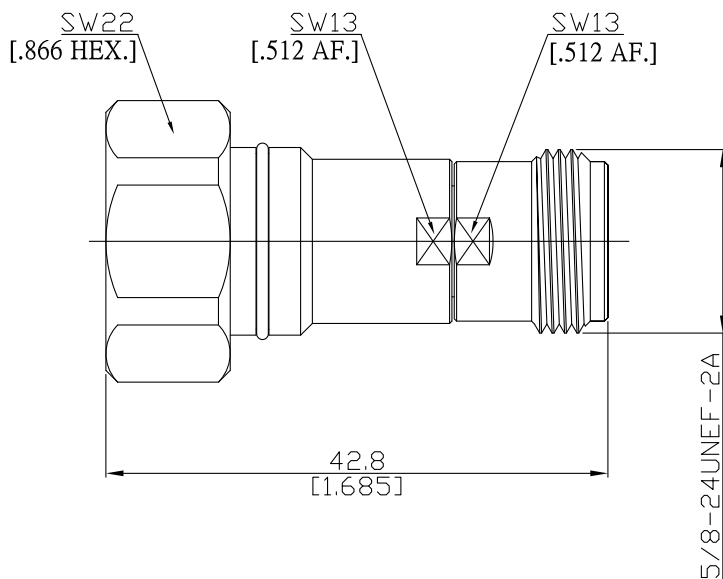


Adaptor plug/jack
4.1/9.5 plug (male) / Precision N jack (female)

AD-MD1PCN25A/144-94



All dimensions are in mm [inch]

Tolerances according to DIN ISO 2768-mH

Interface

Precision N according to IEC 61169-16
4.1/9.5 according to IEC 61169-11, DIN 47231

Electrical Data

Impedance 50 Ω
Frequency DC to 14 GHz
VSWR (Return Loss) ≤ 1.13 (≥ 24 dB)
Insertion Loss $\leq 0.05 \times \sqrt{F}$ (GHz) dB

Mechanical Data

Coupling mechanisms 4.1/9.5 (Screw-lock); Precision N (Screw-lock)
Weight N/A

Environmental Data

Temperature range -40°C to +85°C
RoHS compliant

Material And Plating

Piece Parts (4.1/9.5)	Material	Plating
Centre contact	Brass	Gold plating (without Nickel underplating)
Body	Brass	Copper-Tin-Zinc Alloy
Insulator	PTFE	
Gasket	Silicone Rubber	
Coupling nut	Brass	Copper-Tin-Zinc Alloy

Piece Parts (Precision N)	Material	Plating
Centre contact	Beryllium Copper	Gold plating (without Nickel underplating)
Body	Brass	Copper-Tin-Zinc Alloy
Insulator	PTFE	

Packing

Single or 100