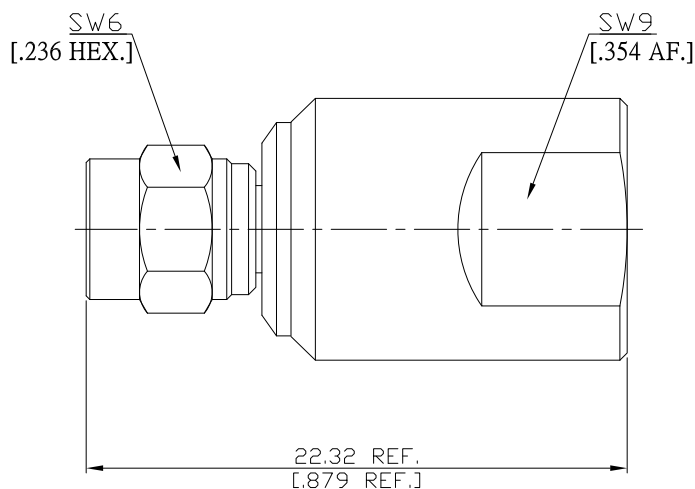


SMC Plug (Male) to FME Plug (Male) Adapter

AD-MC1E15A/H44-H4



All dimensions are in mm [inch]

Tolerances according to DIN ISO 2768-mH

#### Interface

According to SMC side: IEC 60169-9; CECC 22140; MIL-C-39012; MIL-STD-348A/312  
FME side: N/A

#### Electrical Data

Impedance 50 Ω  
Frequency DC to 2 GHz  
VSWR (Return Loss) ≤ 1.20 (≥ 20.83 dB)  
Insertion Loss ≤ 0.05 x √F [GHz] dB

#### Mechanical Data

Temperature range SMC (Screw-lock); FME (Screw-lock)  
RoHS N/A

#### Environmental Data

Coupling mechanisms -65°C to +165°C  
Weight compliant

#### Material And Plating

Piece Parts (SMC)	Material	Plating
Centre contact	Phosphor Bronze	Gold plating (Nickel underplated)
Body	Brass	Copper-Tin-Zinc Alloy
Insulator	PTFE	
Coupling nut	Brass	Copper-Tin-Zinc Alloy
Piece Parts (FME)	Material	Plating
Centre contact	Phosphor Bronze	Gold plating (Nickel underplated)
Body	Brass	Copper-Tin-Zinc Alloy
Insulator	PTFE	

#### Packing

Single or 100