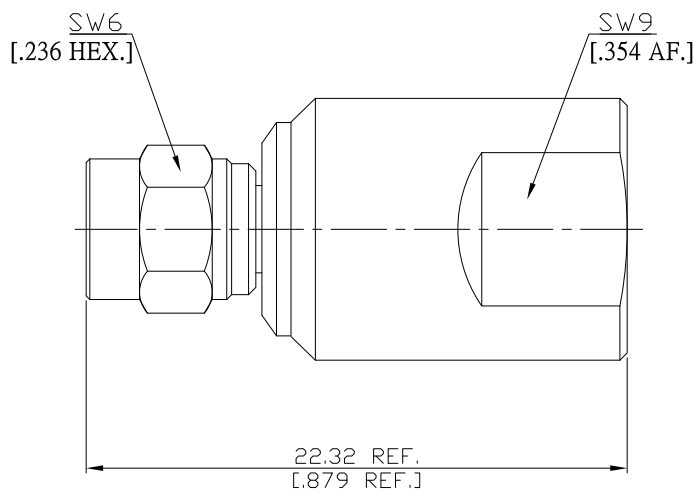


SMC Plug (Male) to FME Plug (Male) Adapter

AD-MC1E15A/944-94



All dimensions are in mm [inch]
Tolerances according to DIN ISO 2768-mH

Interface

According to SMC side: IEC 60169-9; CECC 22140; MIL-C-39012; MIL-STD-348A/312
FME side: N/A

Electrical Data

Impedance 50 Ω
Frequency DC to 2 GHz
VSWR (Return Loss) ≤ 1.20 (≥ 20.83 dB)
Insertion Loss ≤ 0.05 x √F [GHz] dB

Mechanical Data

Temperature range SMC (Screw-lock); FME (Screw-lock)
RoHS N/A

Environmental Data

Coupling mechanisms -65°C to +165°C
Weight compliant

Material And Plating

Piece Parts (SMC)	Material	Plating
Centre contact	Beryllium Copper	Gold plating(Nickel underplated)
Body	Brass	Copper-Tin-Zinc Alloy
Insulator	PTFE	
Coupling nut	Brass	Copper-Tin-Zinc Alloy
Piece Parts (FME)	Material	Plating
Centre contact	Beryllium Copper	Gold plating(Nickel underplated)
Body	Brass	Copper-Tin-Zinc Alloy
Insulator	PTFE	

Packing

Single or 100