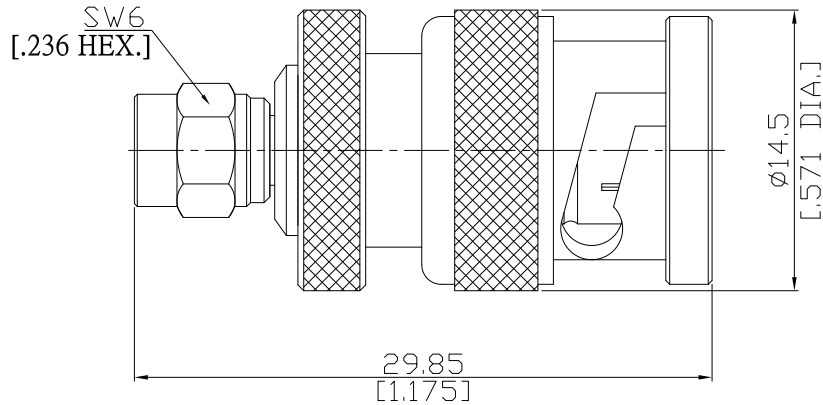


Adaptor Plug / Plug
SMC plug (male) / BNC plug (male)

AD-MC1B15A/911-944



All dimensions are in mm [inch]
Tolerances according to DIN ISO 2768-mH

Interface

According to IEC 60169-9; MIL-C-39012;MIL-STD-348A/312
IEC 60169-8; MIL-C-39012;MIL-STD-348A/301

Electrical Data

Impedance 50 Ω
Frequency DC to 4 GHz
VSWR (Return Loss) ≤ 1.35 (≥ 16.54 dB)
Insertion Loss ≤ 0.05 x √F (GHz) dB

Mechanical Data

Coupling mechanisms SMC (Screw-lock) ; BNC (Bayonet-lock)
Weight 0.0149 kg

Environmental Data

Temperature range -65°C to +165°C
RoHS compliant

Material And Plating

| Piece Parts (SMC) | Material | Plating |
|-------------------|------------------|----------------------------------|
| Centre contact | Beryllium Copper | Gold plating(Nickel underplated) |
| Body | Brass | Gold plating(Nickel underplated) |
| Insulator | PTFE | |
| Coupling nut | Brass | Gold plating(Nickel underplated) |
| Piece Parts (BNC) | Material | Plating |
| Centre contact | Beryllium Copper | Gold plating(Nickel underplated) |
| Body | Brass | Copper-Tin-Zinc Alloy |
| Insulator | PTFE | |
| Gasket | Silicone Rubber | |
| Coupling nut | Brass | Copper-Tin-Zinc Alloy |

Packing

Single or 100