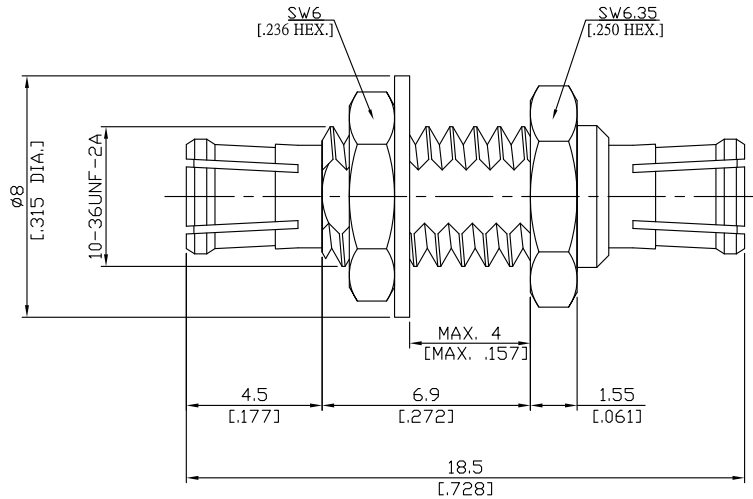


Bulkhead Panel Adaptor Plug / Plug
MCX plug (male) / MCX plug (male)

AD-M1M15A-BH/1H-1H



All dimensions are in mm [inch]
Tolerances according to DIN ISO 2768-mH

Interface

According to IEC 60169-36

Electrical Data

Impedance 50 Ω
Frequency DC to 4 GHz
VSWR (Return Loss) ≤ 1.35 (≥ 16.54 dB)

Mechanical Data

Coupling mechanisms Snap-lock
Weight 0.0021 kg

Environmental Data

Temperature range -55°C to +155°C
RoHS compliant

Material And Plating

Piece Parts (MCX)	Material	Plating
Centre contact	Brass	Gold plating(Nickel underplated)
Body	Phosphor Bronze	Gold plating(Nickel underplated)
Insulator	PTFE	
Fastening nut	Brass	Gold plating(Nickel underplated)
Washer	Brass	Gold plating(Nickel underplated)
Piece Parts (MCX)	Material	Plating
Centre contact	Brass	Gold plating(Nickel underplated)
Body	Phosphor Bronze	Gold plating(Nickel underplated)
Insulator	PTFE	

Packing

Single or 100

Packing

Mounting Dimension MD63