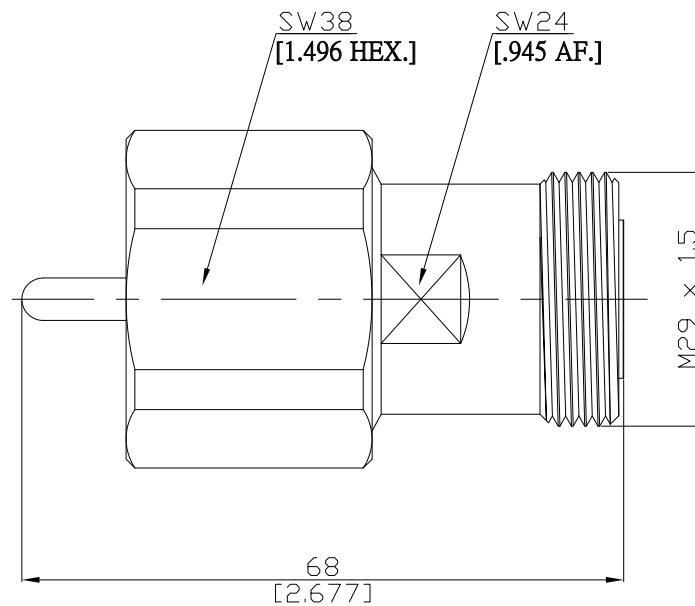


Adaptor plug/jack  
LC plug (male) / 7/16 jack (female)

AD-LC1D25A/H44-H4



All dimensions are in mm [inch]  
Tolerances according to DIN ISO 2768-mH

#### Interface

LC according to MIL-STD-348A  
7/16 according to IEC 61169-4

#### Electrical Data

Impedance 50 Ω  
Frequency DC to 1 GHz  
VSWR (Return loss) ≤ 1.20 (≥ 20.83 dB)  
Insertion loss ≤ 0.1 x √f(GHz)

#### Mechanical Data

Coupling mechanisms LC (Screw-lock); 7/16 (Screw-lock)  
Weight N/A

#### Environmental Data

Temperature range -65°C to +165°C  
RoHS compliant

#### Material And Plating

Piece Parts (LC)	Material	Plating
Centre contact	Phosphor Bronze	Gold plating(Nickel underplated)
Body	Brass	Copper-Tin-Zinc Alloy
Insulator	PTFE	
Gasket	Silicone Rubber	
Coupling nut	Brass	Copper-Tin-Zinc Alloy
Piece Parts (7/16)	Material	Plating
Centre contact	Phosphor Bronze	Gold plating(Nickel underplated)
Body	Brass	Copper-Tin-Zinc Alloy
Insulator	PTFE	

#### Packing

Single or 100