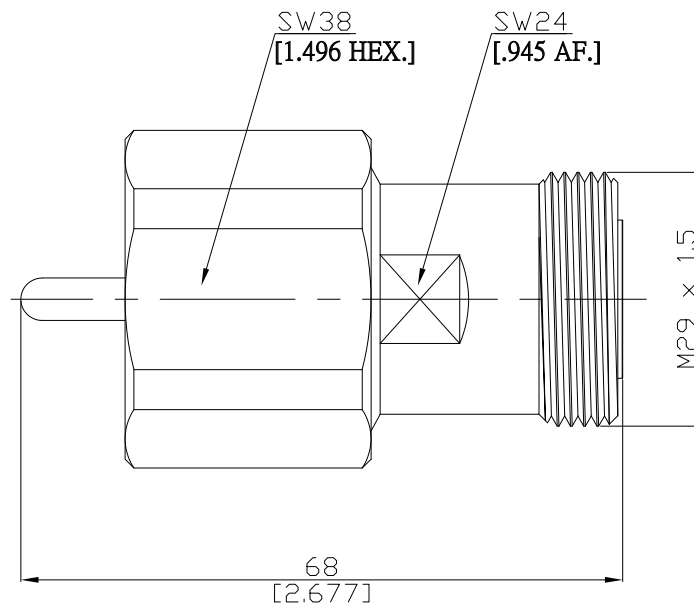


Adaptor plug/jack
LC plug (male) / 7/16 jack (female)

AD-LC1D25A/H33-H3



All dimensions are in mm [inch]
Tolerances according to DIN ISO 2768-mH

Interface

LC according to MIL-STD-348A
7/16 according to IEC 61169-4

Electrical Data

Impedance 50 Ω
Frequency DC to 1 GHz
VSWR (Return loss) ≤ 1.20 (≥ 20.83 dB)
Insertion loss ≤ 0.1 x √f(GHz)

Mechanical Data

Coupling mechanisms LC (Screw-lock); 7/16 (Screw-lock)
Weight N/A

Environmental Data

Temperature range -65°C to +165°C
RoHS compliant

Material And Plating

Piece Parts (LC)	Material	Plating
Centre contact	Phosphor Bronze	Gold plating(Nickel underplated)
Body	Brass	Nickel
Insulator	PTFE	
Gasket	Silicone Rubber	
Coupling nut	Brass	Nickel
Piece Parts (7/16)	Material	Plating
Centre contact	Phosphor Bronze	Gold plating(Nickel underplated)
Body	Brass	Nickel
Insulator	PTFE	

Packing

Single or 100