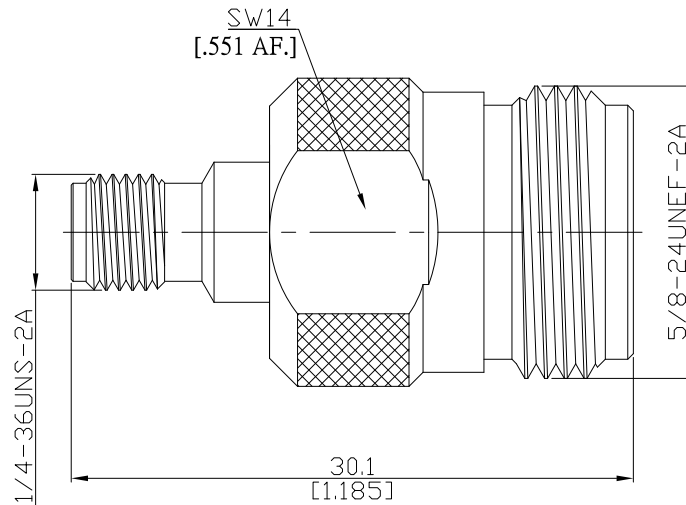




**Adaptor Jack / Jack**  
2.92mm jack (female) / Precision N jack (female)

**AD-K2PCN25B/9X-9X**



All dimensions are in mm [inch]  
Tolerances according to DIN ISO 2768-mH

**Interface**

2.92mm according to IEC 61169-35; IEEE Std 287-2007  
Precision N according to IEC 60169-16; MIL-STD 348A/402

**Electrical Data**

Impedance 50 Ω  
Frequency DC to 18 GHz  
VSWR (Return Loss) ≤ 1.15 (≥ 23.1 dB)  
Insertion Loss ≤ 0.04 × √F [GHz] dB

**Mechanical Data**

Coupling mechanisms 2.92mm (Screw-lock); Precision N (Screw-lock)

**Environmental Data**

Temperature range -65°C to +100°C  
RoHS compliant

**Material And Plating**

Piece Parts (2.92mm)	Material	Plating
Centre contact	Beryllium Copper	Gold plating(Nickel underplated)
Body	Stainless Steel	Passivated
Insulator	PTFE	
Gasket	Silicone Rubber	
Piece Parts (Precision N)	Material	Plating
Centre contact	Beryllium Copper	Gold plating(Nickel underplated)
Body	Stainless Steel	Passivated
Insulator	PTFE	

**Packing**

Single or 100