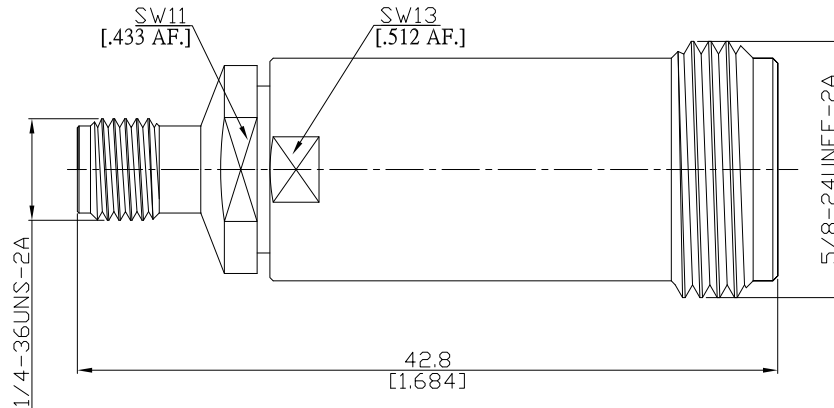


Adaptor jack/jack  
2.92mm jack (female) / Precision N jack (female)

AD-K2PCN25A/9X-9X



All dimensions are in mm [inch]  
Tolerances according to DIN ISO 2768-mH

#### Interface

2.92mm according to IEC 61169-35; IEEE Std 287-2007  
Precision N according to IEC 60169-16; CECC 22210; MIL-STD 348A/402

#### Electrical Data

Impedance 50  $\Omega$   
Frequency DC to 18 GHz  
VSWR (Return Loss)  $\leq 1.15$  ( $\geq 23.13$  dB)  
Insertion Loss  $\leq 0.04 \times \sqrt{F}$  [GHz] dB

#### Mechanical Data

Coupling mechanisms 2.92mm (Screw-lock); Precision N (Screw-lock)

#### Environmental Data

Temperature range  $-65^{\circ}\text{C}$  to  $+100^{\circ}\text{C}$   
RoHS compliant

#### Material And Plating

Piece Parts (2.92mm)	Material	Plating
Centre contact	Beryllium Copper	Gold plating(Nickel underplated)
Body	Stainless Steel	Passivated
Insulator	PS	
Gasket	Silicone Rubber	
Piece Parts (Precision N)	Material	Plating
Centre contact	Beryllium Copper	Gold plating(Nickel underplated)
Body	Stainless Steel	Passivated
Insulator	PS	

#### Packing

Single or 100