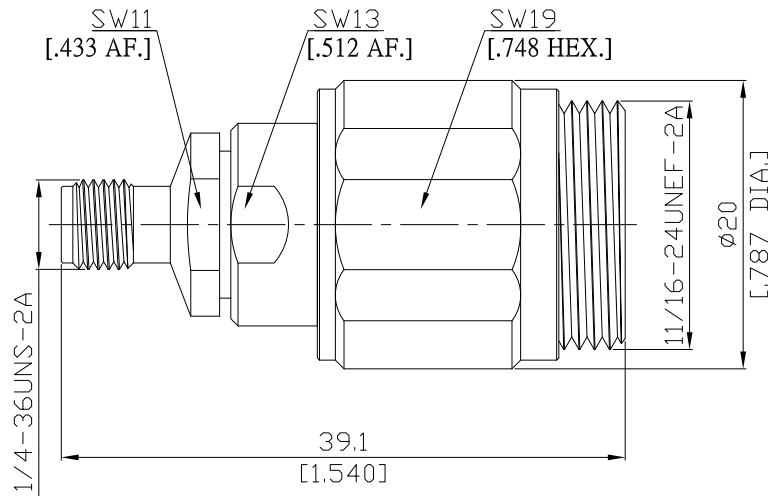


Adaptor Jack / Sexless
RPC2.92 jack (female) / RPC7 sexless

AD-K2P7S5A/9X-9XX



All dimensions are in mm [inch]
Tolerances according to DIN ISO 2768-mH

Interface

According to IEC 61169-35; IEEE Std 287-2007

Electrical Data

Impedance 50 Ω
Frequency DC to 18 GHz
VSWR (Return Loss) ≤ 1.15 (≥ 23.1 dB)
Insertion Loss ≤ 0.04 × √F (GHz) dB

Mechanical Data

Coupling mechanisms RPC2.92 (Screw-lock) ; RPC7 (Screw-lock)

Environmental Data

Temperature range -55°C to +70°C
RoHS compliant

Material And Plating

Piece Parts (RPC2.92)	Material	Plating
Centre contact	Beryllium Copper	Gold plating(Nickel underplated)
Body	Stainless Steel	Passivated
Insulator	PS	

Piece Parts (RPC7)	Material	Plating
Centre contact	Beryllium Copper	Gold plating(Nickel underplated)
Body	Stainless Steel	Passivated
Insulator	PS	
Coupling nut	Stainless Steel	Passivated

Packing

Single or 100