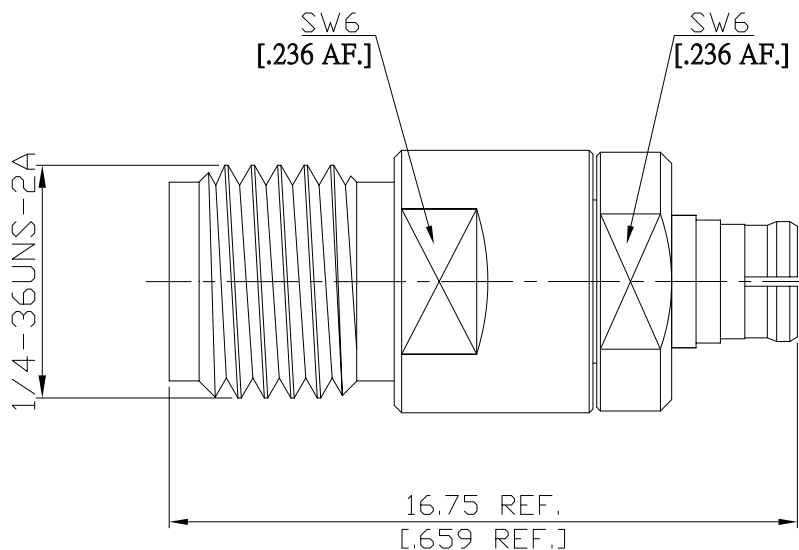


**Adaptor Jack / Jack**  
2.92mm jack (female) / SMP jack (female)

AD-K2P25A/9X-99



All dimensions are in mm [inch]  
Tolerances according to DIN ISO 2768-mH

**Interface**

2.92mm Side According to IEC 61169-35; IEEE Std 287-2007; MIL-STD-348A/323  
SMP Side According to MIL-STD-348B/326

**Electrical Data**

Impedance 50 Ω  
Frequency DC to 40 GHz  
VSWR (Return Loss) ≤ 1.50 (≥ 14.0 dB)  
Insertion Loss ≤ 0.1 × √F (GHz) dB

**Mechanical Data**

Coupling mechanisms 2.92mm (Screw-lock); SMP (Snap-lock)  
Weight N/A

**Environmental Data**

Temperature range -60°C to +100°C  
RoHS compliant

**Material And Plating**

Piece Parts (2.92mm)	Material	Plating
Centre contact	Beryllium Copper	Gold plating(Nickel underplated)
Body	Stainless Steel	Passivated
Insulator	PS	
Piece Parts (SMP)	Material	Plating
Centre contact	Beryllium Copper	Gold plating(Nickel underplated)
Body	Beryllium Copper	Gold plating(Nickel underplated)
Insulator	PS	

**Packing**

Single or 100