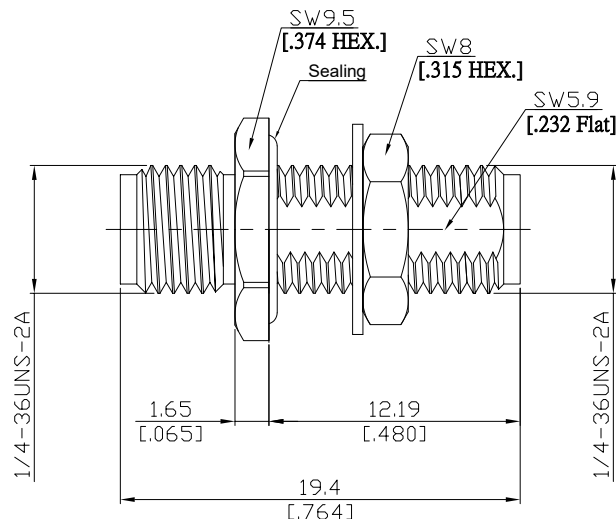




2.92mm Jack (Female) to 2.92mm Jack (Female)
Bulkhead Adapter, DC-40 GHz, VSWR ≤ 1.15

AD-K2K25B-BH/9X-9X



All dimensions are in mm [inch]
Tolerances according to DIN ISO 2768-mH

Interface

According to IEC 61169-35; IEEE STD 287-2007
Mechanically compatible with 3.5mm and SMA

Electrical Data

Impedance 50 Ω
Frequency DC to 40 GHz
VSWR (Return Loss) ≤ 1.15 (≥ 23.13 dB)
Insertion Loss ≤ 0.04 × √F (GHz) dB
Insulation resistance ≥ 5 GΩ
Center contact resistance ≤ 3.0 mΩ
Outer contact resistance ≤ 2.0 mΩ
Test voltage 750 V rms
Working voltage 250 V rms
RF-leakage ≥ 100 dB up to 1 GHz

Mechanical Data

Coupling mechanisms Screw-lock
Weight 0.0042 kg
Mating cycles ≥ 500
Center contact captivation ≥ 22 N
Coupling test torque 1.70 Nm
Recommended torque 0.80 Nm to 1.10 Nm

Environmental Data

Temperature range -55°C to +125°C
RoHS compliant
Thermal shock MIL-STD-202, Method 107, Condition B
Corrosion MIL-STD-202, Method 101, Condition B
Vibration MIL-STD-202, Method 204, Condition D
Shock MIL-STD-202, Method 213, Condition I
Moisture resistance MIL-STD-202, Method 106

2.92mm Jack (Female) to 2.92mm Jack (Female)
Bulkhead Adapter, DC-40 GHz, VSWR ≤ 1.15

AD-K2K25B-BH/9X-9X

Material And Plating

Piece Parts (2.92mm)	Material	Plating
Centre contact	Beryllium Copper	Gold plating(Nickel underplated)
Body	Stainless Steel	Passivated
Insulator	PEI	
Gasket	Silicone Rubber	
Fastening nut	Stainless Steel	Passivated
Washer	Stainless Steel	Passivated
Piece Parts (2.92mm)	Material	Plating
Centre contact	Beryllium Copper	Gold plating(Nickel underplated)
Body	Stainless Steel	Passivated
Insulator	PEI	

Related Document

Mounting Dimension MD95

Packing

Single or 100