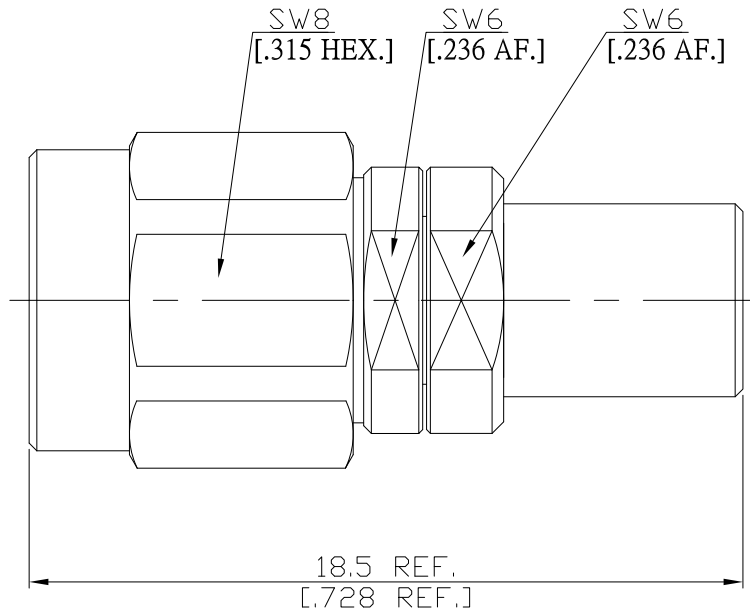


2.92mm Plug (Male) to SMP Full Detent Plug (Male) Adapter  
DC-40GHz VSWR1.25

**AD-K1PF15A / 9XX-9X**



All dimensions are in mm [inch]  
Tolerances according to DIN ISO 2768-mH

**Interface**

Mechanically compatible with  
According to

2.92mm Side  
SMA and 3.5mm  
IEC 61169-35, IEEE Std 287-2007

SMP Side  
GPO  
MIL-STD-348B/326

**Electrical Data**

Impedance 50 Ω  
Frequency DC to 40 GHz  
VSWR (Return Loss) ≤ 1.25 (≥ 19.08 dB)  
Insertion Loss ≤ 0.04 × √F (GHz) dB  
Insulation Resistance ≥ 5 GΩ  
Test Voltage (at sea level) 750 V rms  
Working Voltage (at sea level) 250 V rms  
RF Leakage ≥ 100 dB up to 1 GHz

**Material And Plating**

Piece Parts (2.92mm)	Material	Plating
Centre Contact	Beryllium Copper	Gold plating, 3 μinch (Non-magnetic nickel-phosphorus underplating, 80 μinch)
Body	Stainless Steel	Passivated
Insulator	PEI	
Piece Parts (SMP)	Material	Plating
Centre Contact	Beryllium Copper	Gold plating, 3 μinch (Non-magnetic nickel-phosphorus underplating, 80 μinch)
Body	Stainless Steel	Passivated
Insulator	PEI	

2.92mm Plug (Male) to SMP Full Detent Plug (Male) Adapter  
DC-40GHz VSWR1.25

**AD-K1PF15A / 9XX-9X**

**Mechanical Data**

Coupling Mechanisms	2.92mm Side Screw-lock	SMP Side Snap-on
Mating Cycles	≥ 500	if mating part is Smooth Bore, Catcher's Mitt ≥ 1000 if mating part is Limited Detent ≥ 500 if mating part is Full Detent ≥ 100
Center Contact Captivation	≥ 20 N	≥ 7 N
Engagement Force	None	Smooth Bore, Catcher's Mitt ≤ 9 N Limited Detent ≤ 45 N Full Detent ≤ 68 N
Disengagement Force	None	Smooth Bore, Catcher's Mitt ≥ 2.2 N Limited Detent ≥ 9 N Full Detent ≥ 22N
Coupling Test Torque	1.65 Nm max.	None
Recommended Torque	0.9 Nm	None

**Environmental Data**

Temperature Range	-55°C to +165°C
Thermal Shock	MIL-STD-202, Method 107, Condition B
Corrosion	MIL-STD-202, Method 101, Condition B
Vibration	MIL-STD-202, Method 204, Condition D
Shock	MIL-STD-202, Method 213, Condition I
Moisture Resistance	MIL-STD-202, Method 106
RoHS	compliant

**Packing**

Standard	Single
Weight	N/A