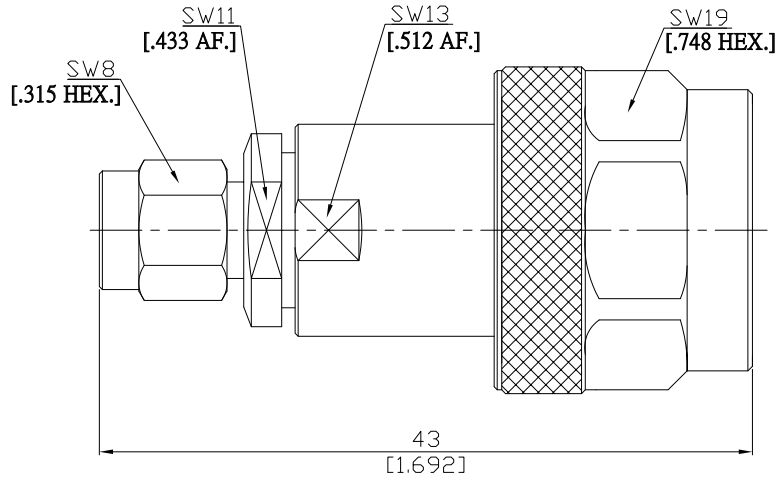


Adaptor plug/plug
2.92mm plug (male) / Precision N plug (male)

AD-K1PCN15A/9XX-9XX



All dimensions are in mm [inch]
Tolerances according to DIN ISO 2768-mH

Interface

2.92mm according to IEC 61169-35; IEEE Std 287-2007
Precision N according to IEC 60169-16; CECC 22210; MIL-STD 348A/402

Electrical Data

Impedance 50 Ω
Frequency DC to 18 GHz
VSWR (Return Loss) ≤ 1.15 (≥ 23.1 dB)
Insertion Loss ≤ 0.04 x √F (GHz) dB

Mechanical Data

Coupling mechanisms 2.92mm (Screw-lock) ; Precision N (Screw-lock)

Environmental Data

Temperature range -65°C to +100°C
RoHS compliant

Material And Plating

Piece Parts (2.92mm)	Material	Plating
Centre contact	Beryllium Copper	Gold plating(Nickel underplated)
Body	Stainless Steel	Passivated
Insulator	PS	
Gasket	Silicone Rubber	
Coupling nut	Stainless Steel	Passivated
Piece Parts (Precision N)	Material	Plating
Centre contact	Beryllium Copper	Gold plating(Nickel underplated)
Body	Stainless Steel	Passivated
Insulator	PS	
Coupling nut	Stainless Steel	Passivated

Packing

Single or 100