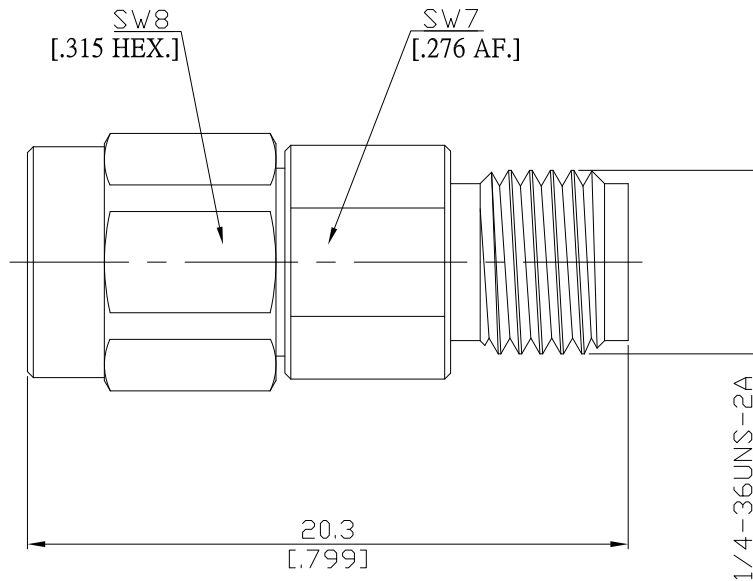


Adaptor plug/jack
2.92mm plug (male) / 3.5mm jack (female)

AD-K1PC25A/9XX-9X



All dimensions are in mm [inch]

Tolerances according to DIN ISO 2768-mH

Interface

2.92mm according to IEC 61169-35
3.5mm according to IEC 60169-23

Electrical Data

Impedance 50 Ω
Frequency DC to 34.5 GHz
VSWR (Return Loss) ≤ 1.15 (≥ 23.13 dB)

Mechanical Data

Coupling mechanisms Screw-lock
Weight 0.0028 kg

Environmental Data

Temperature range -55°C to +125°C
RoHS compliant

Material And Plating

Piece Parts (2.92mm)	Material	Plating
Centre contact	Beryllium Copper	Gold plating (Nickel underplated)
Body	Stainless Steel	Passivated
Insulator	PS	
Coupling nut	Stainless Steel	Passivated

Piece Parts (3.5mm)	Material	Plating
Centre contact	Beryllium Copper	Gold plating (Nickel underplated)
Body	Stainless Steel	Passivated
Insulator	PS	

Packing

Single or 100