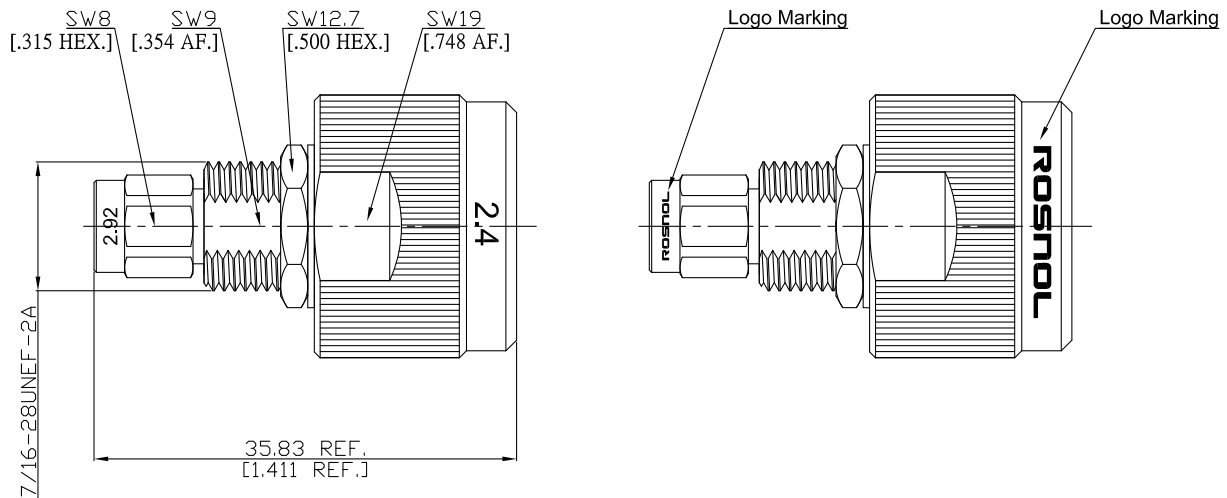


2.92mm Plug (Male) to 2.4mm NMD Jack (Female)  
Bulkhead Mount Adapter

AD-K1NMDQ25A-BH/9XX-9X



All dimensions are in mm [inch]  
Tolerances according to DIN ISO 2768-mH

**Interface**

2.92mm mechanically compatible with 3.5mm and SMA  
2.4mm mechanically compatible with 1.85mm

**Electrical Data**

Impedance 50 Ω  
Frequency DC to 40 GHz  
VSWR (Return Loss) ≤ 1.20 (≥ 20.83 dB)  
Insertion Loss ≤ 0.05 x √F (GHz) dB

**Mechanical Data**

Coupling mechanisms Screw-lock  
Weight N/A

**Environmental Data**

Temperature range -60°C to +100°C  
RoHS compliant

**Material and Plating**

Piece Parts (2.92mm)	Material	Plating
Centre contact	Beryllium Copper	Gold plating (Nickel underplated)
Body	Stainless Steel	Passivated
Insulator	PS	
Coupling nut	Stainless Steel	Passivated
Fastening nut	Stainless Steel	Passivated
Washer	Brass	Copper-Tin-Zinc Alloy

Piece Parts (2.4mm NMD)	Material	Plating
Centre contact	Beryllium Copper	Gold plating (Nickel underplated)
Body	Stainless Steel	Passivated
Insulator	PS	

**Packing**

Single