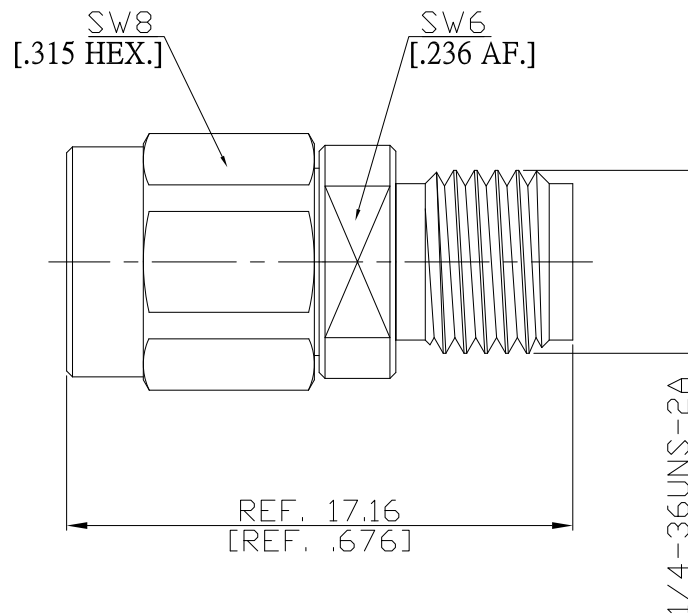


Adaptor plug/jack  
2.92mm plug (male) / 2.92mm jack (female)

AD-K1K25A/9XX-9X



All dimensions are in mm [inch]

Tolerances according to DIN ISO 2768-mH

#### Interface

According to IEC 61169-35; IEEE Std 287-2007

#### Electrical Data

Impedance 50 Ω  
Frequency DC to 40 GHz  
VSWR (Return Loss) ≤ 1.15 (≥ 23.13 dB)  
Insertion Loss ≤ 0.05 x √F [GHz] dB

#### Mechanical Data

Coupling mechanisms Screw-lock  
Weight N/A

#### Environmental Data

Temperature range -55°C to +165°C  
RoHS compliant

#### Material And Plating

Piece Parts (2.92mm)	Material	Plating
Centre contact	Beryllium Copper	Gold plating (Nickel underplated)
Body	Stainless Steel	Passivated
Insulator	PEI	
Gasket	Silicone Rubber	
Coupling nut	Stainless Steel	Passivated
Piece Parts (2.92mm)	Material	Plating
Centre contact	Beryllium Copper	Gold plating (Nickel underplated)
Body	Stainless Steel	Passivated
Insulator	PEI	

#### Packing

Single or 100