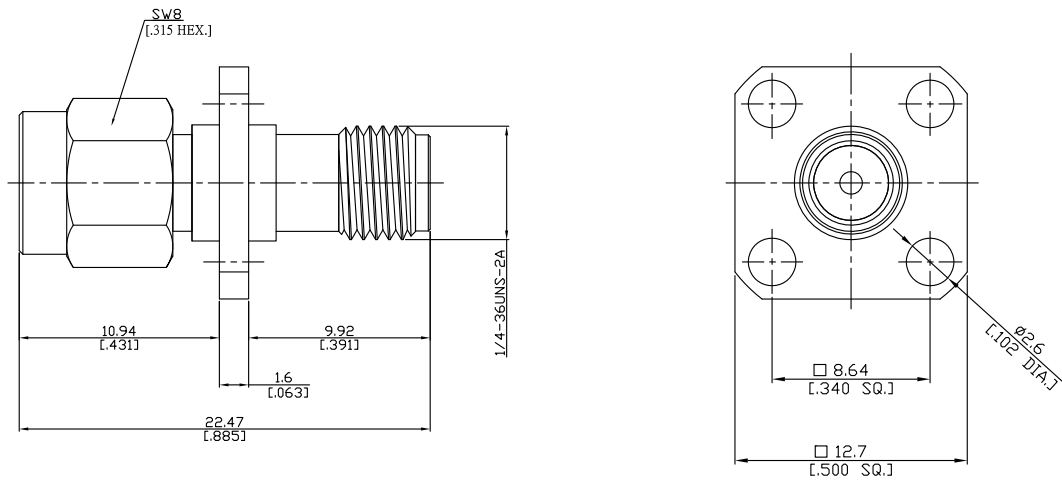


**4 Hole Panel Flange Adaptor**  
RPC2.92 plug (male)/RPC2.92 jack (female)

**AD-K1K25A-PF/9XX-9X**



All dimensions are in mm [inch]  
Tolerances according to DIN ISO 2768-mH

**Interface**

According to IEC 61169-35; MIL-C-39012; MIL-STD-348A/323

**Electrical Data**

Impedance 50 Ω  
Frequency DC to 40 GHz  
VSWR (Return Loss) ≤ 1.20 (≥ 20.8 dB)  
Insertion Loss ≤ 0.05 x √F (GHz) dB

**Mechanical Data**

Coupling mechanisms Screw-lock  
Weight 0.0035 kg

**Environmental Data**

Temperature range -60°C to +100°C  
RoHS compliant

**Material And Plating**

Piece Parts (RPC2.92)	Material	Plating
Centre contact	Beryllium Copper	Gold plating (Nickel underplated)
Body	Stainless Steel	Passivated
Insulator	PPO/PPE	
Coupling nut	Stainless Steel	Passivated
Piece Parts (RPC2.92)	Material	Plating
Centre contact	Beryllium Copper	Gold plating (Nickel underplated)
Body	Stainless Steel	Passivated
Insulator	PPO/PPE	

**Packing**

Single or 100

**Related Document**

Mounting Dimension MD10