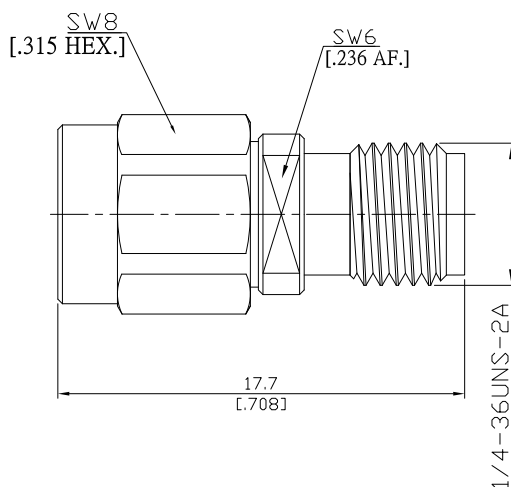


Adaptor plug/jack
2.92mm plug (male) / SMA jack (female)

AD-K1A25A/9XX-9X



All dimensions are in mm [inch]

Tolerances according to DIN ISO 2768-mH

Interface

2.92mm according to
SMA according to

IEC 61169-35
IEC 60169-15; MIL-C-39012; MIL-STD-348A/310

Electrical Data

Impedance 50 Ω
Frequency DC to 18 GHz
VSWR (Return Loss) ≤ 1.15 (≥ 23.13 dB)
Insertion Loss ≤ 0.05 x √F (GHz) dB

Mechanical Data

Coupling mechanisms Screw-lock
Weight 0.0054 kg

Environmental Data

Temperature range -60°C to +100°C
RoHS compliant

Material And Plating

Piece Parts (2.92mm)	Material	Plating
Centre contact	Beryllium Copper	Gold plating(Nickel underplated)
Body	Stainless Steel	Passivated
Insulator	PS	
Gasket	Silicone Rubber	
Coupling nut	Stainless Steel	Passivated

Piece Parts (SMA)	Material	Plating
Centre contact	Beryllium Copper	Gold plating(Nickel underplated)
Body	Stainless Steel	Passivated
Insulator	PTFE	

Packing

Single or 100