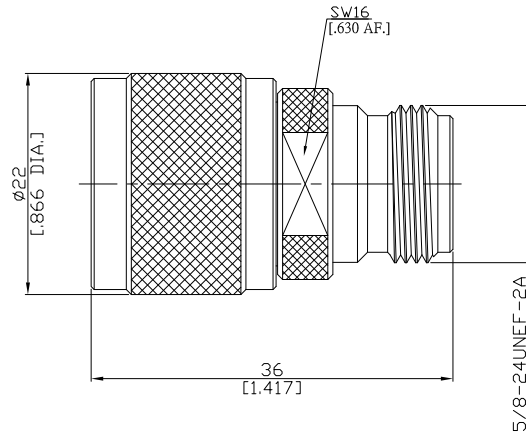


Adaptor Plug / Jack
HN plug (male) / N jack (female)

AD-HN1N25A/833-83



All dimensions are in mm [inch]
Tolerances according to DIN ISO 2768-mH

Interface

HN according to MIL-C-3643; MIL-STD-348A/317
N according to IEC 60169-16; MIL-C-39012; MIL-STD-348A/304

Electrical Data

Impedance 50 Ω
Frequency DC to 4 GHz

Mechanical Data

Coupling mechanisms HN (Screw-lock); N (Screw-lock)
Weight N/A

Environmental Data

Temperature range -65°C to +165°C
RoHS compliant

Material And Plating

Piece Parts (HN)	Material	Plating
Centre contact	Beryllium Copper	Silver
Body	Brass	Nickel
Insulator	PTFE	
Gasket	Silicone Rubber	
Coupling nut	Brass	Nickel

Piece Parts (HN)	Material	Plating
Centre contact	Beryllium Copper	Silver
Body	Brass	Nickel
Insulator	PTFE	

Packing

Single or 100