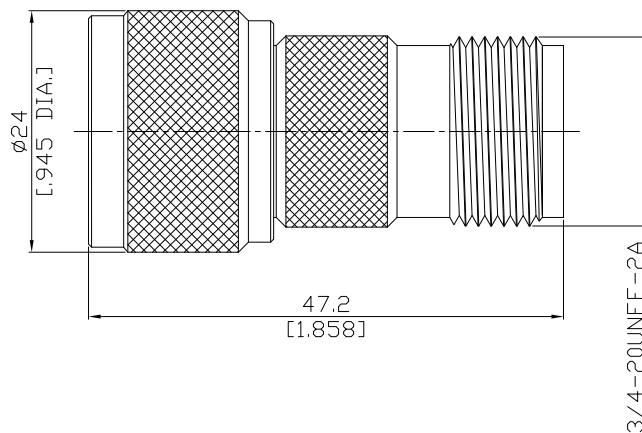


**Adaptor Plug / Jack**  
HN plug (male) / HN jack (female)

AD-HN1HN25A/033-03



All dimensions are in mm [inch]  
Tolerances according to DIN ISO 2768-mH

**Interface**

According to MIL-C-3643; MIL-STD-348A/317

**Electrical Data**

Impedance 50  $\Omega$   
Frequency DC to 4 GHz

**Mechanical Data**

Coupling mechanisms Screw-lock  
Weight 0.1125 kg

**Environmental Data**

Temperature range -65°C to +165°C  
RoHS compliant

**Material And Plating**

Piece Parts (HN)	Material	Plating
Centre contact	Brass	Silver
Body	Brass	Nickel
Insulator	PTFE	
Gasket	Silicone Rubber	
Coupling nut	Brass	Nickel

Piece Parts (HN)	Material	Plating
Centre contact	Brass	Silver
Body	Brass	Nickel
Insulator	PTFE	

**Packing**

Single or 100