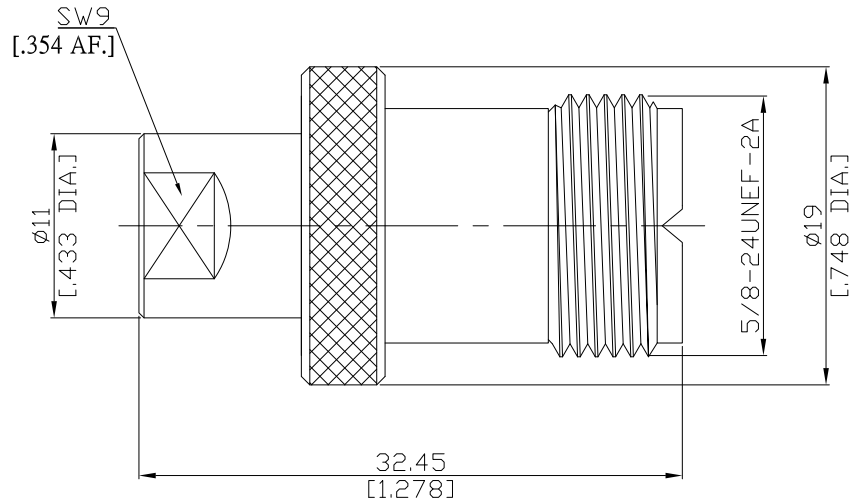




Adaptor plug/jack  
FME plug (male) / UHF jack (female)

AD-E1U25A/14-94



All dimensions are in mm [inch]

Tolerances according to DIN ISO 2768-mH

#### Interface

FME according to N/A  
UHF according to IEC 60169-12

#### Electrical Data

Impedance 50 Ω  
Frequency DC to 300 MHz

#### Mechanical Data

Coupling mechanisms UHF (Screw-lock) ; FME (Screw-lock)  
Weight N/A

#### Environmental Data

Temperature range -65°C to +165°C  
RoHS compliant

#### Material And Plating

Piece Parts (FME)	Material	Plating
Centre contact	Brass	Gold plating(Nickel underplated)
Body	Brass	Copper-Tin-Zinc Alloy
Insulator	PTFE	
Piece Parts (UHF)	Material	Plating
Centre contact	Brass	Gold plating(Nickel underplated)
Body	Brass	Copper-Tin-Zinc Alloy
Insulator	PTFE	

#### Packing

Single or 100