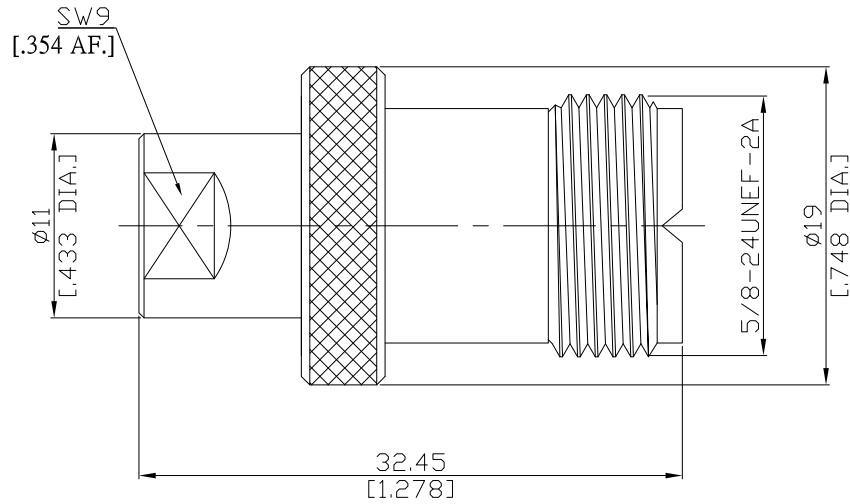




Adaptor plug/jack
FME plug (male) / UHF jack (female)

AD-E1U25A/13-93



All dimensions are in mm [inch]

Tolerances according to DIN ISO 2768-mH

Interface

According to MIL-C-39012; MIL-STD-348A/310

Electrical Data

Impedance 50 Ω
Frequency DC to 200 MHz

Mechanical Data

Coupling mechanisms UHF (Screw-lock) ; FME (Screw-lock)
Weight N/A

Environmental Data

Temperature range -65°C to +165°C
RoHS compliant

Material And Plating

Piece Parts (FME)	Material	Plating
Centre contact	Brass	Gold plating(Nickel underplated)
Body	Brass	Nickel
Insulator	PTFE	
Piece Parts (UHF)	Material	Plating
Centre contact	Beryllium Copper	Gold plating(Nickel underplated)
Body	Brass	Nickel
Insulator	PTFE	

Packing

Single or 100